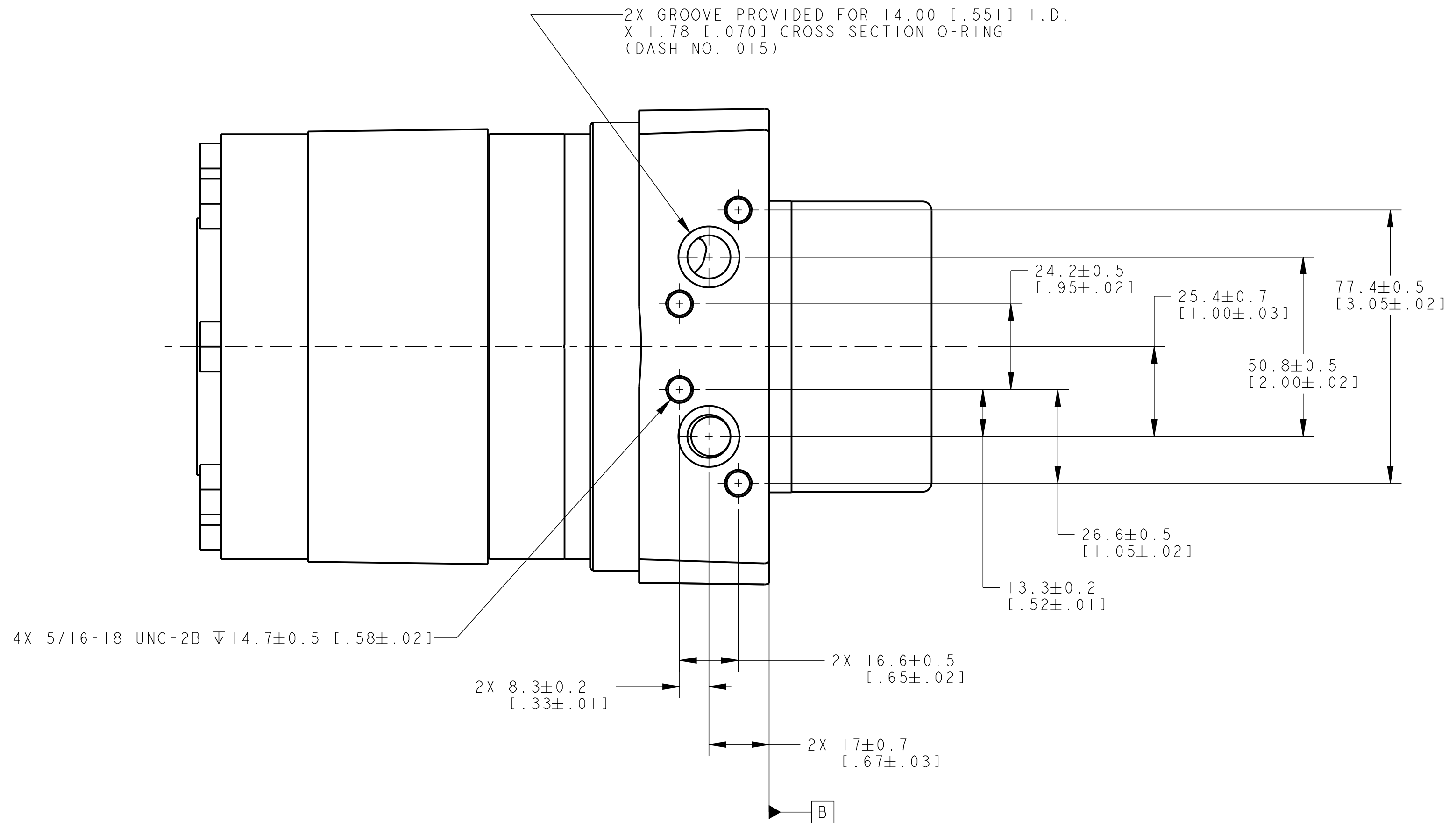




REV	DESCRIPTION	BY	CHK	DATE	ECN / MPS
A	ENGINEERING RELEASE	CSG		06-27-13	M89737
B	-1)(2C) FLIPPED PATTERN OF 4X 5/16-18 UNC-2B HOLES HORIZONTALLY -2)(4B) NOTE WAS "...∇14.2 [.56] MIN"	CSG		08-01-13	M89737B



NOTE:  
PORT OPTION - AF

 REVIEWED FOR CLASSIFICATION PER ESP-042

UNLESS OTHERWISE SPECIFIED ALL DIMENSIONS ARE IN INCHES MILLIMETERS (INCHES)	DRAWING BASED ON ASME Y14.5M-1994		
	<small>THE REPRODUCTION, DISTRIBUTION, AND UTILIZATION OF THIS DOCUMENT, AS WELL AS THE COMMUNICATION OF ITS CONTENTS TO OTHERS WITHOUT EXPLICIT AUTHORIZATION IS PROHIBITED. OFFENDERS WILL BE HELD LIABLE FOR THE PAYMENT OF DAMAGES. ALL RIGHTS RESERVED IN THE EVENT OF THE GRANT OF A PATENT, UTILITY MODEL, OR DESIGN. (PER ISO 16016)</small>		
TOLERANCES .X ± ---- .XX ± REF .XXX ± ONLY ∠ ± ----	DRAWN CSG BY/DATE 07-12-2013 CHECKED SMT BY/DATE 07-15-2013	MATERIAL/HEAT TREAT -	
UNSPECIFIED RADII ARE: -	ENGRG ---- BY/DATE ---- METALLURGY - BY/DATE -	TITLE DELTA MOTOR PORT INSTALLATION	
UNSPECIFIED DRAFT ANGLES ARE: °	 THIRD ANGLE PROJECTION	MICROINCHES (MICROMETERS) <input type="checkbox"/> MICROINCHES <input checked="" type="checkbox"/> MICROMETERS ARITHMETICAL AVERAGE	NUMBER A-3958-001 SCALE 1/1 SHEET 1 OF 1
C SIZE	DO NOT SCALE		