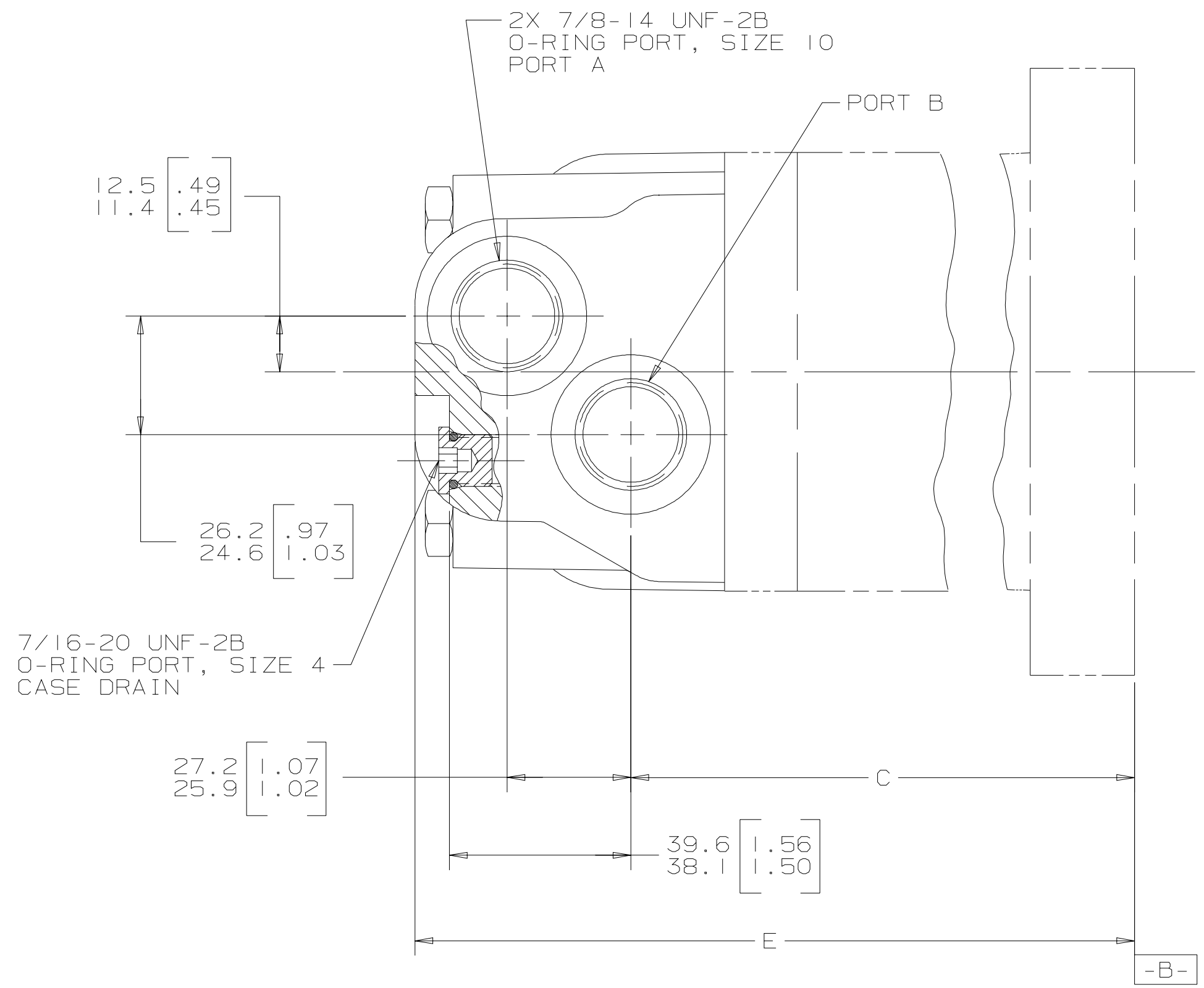
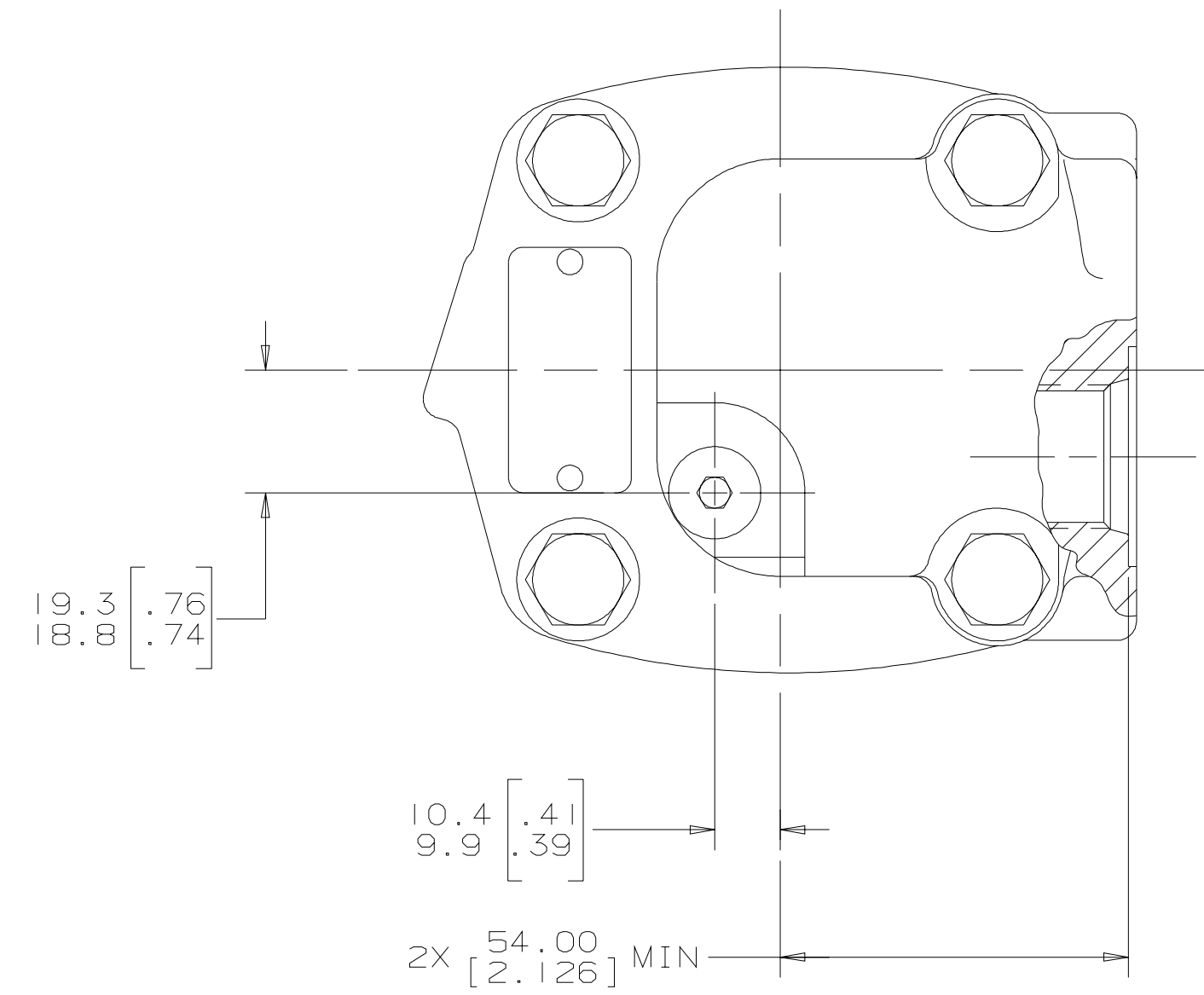


8			7			6			5			4		
MOUNTING TYPE AB, AM, AP			MOUNTING TYPE AC & AH			MOUNTING TYPE AE			MOUNTING TYPE AG			MOUNTING TYPE AF		
DISP	C	E MAX	DISP	C	E MAX	DISP	C	E MAX	DISP	C	E MAX	DISP	C	E MAX
10	113.8-115.3 [4.48-4.54]	162.0 [6.38]	10	154.2-155.4 [6.07-6.12]	201.9 [7.95]	10	99.5-97.5 [3.76-3.84]	144.3 [5.68]	10	141.7-143.8 [5.58-5.66]	190.5 [7.50]	10	154.2-155.2 [6.07-6.11]	201.9 [7.95]
12	122.9-124.5 [4.84-4.90]	171.0 [6.73]	12	163.1-164.6 [6.42-6.48]	211.1 [8.31]	12	104.6-106.9 [4.12-4.21]	153.4 [6.04]	12	151.1-152.7 [5.95-6.01]	199.4 [7.85]	12	163.3-164.3 [6.43-6.47]	211.1 [8.31]
15	134.4-135.6 [5.29-5.34]	182.4 [7.18]	15	174.5-175.8 [6.87-6.92]	222.5 [8.76]	15	116.1-118.1 [4.57-4.65]	164.8 [6.49]	15	162.3-163.8 [6.39-6.45]	210.6 [8.29]	15	174.5-175.8 [6.87-6.92]	222.3 [8.75]
19	150.4-151.6 [5.92-5.97]	198.4 [7.81]	19	190.5-191.8 [7.50-7.55]	238.5 [9.39]	19	132.1-134.1 [5.20-5.28]	180.8 [7.12]	19	178.3-179.8 [7.02-7.08]	226.6 [8.92]	19	190.5-191.8 [7.50-7.55]	238.3 [9.38]
24	150.4-151.6 [5.92-5.97]	198.4 [7.81]	24	190.5-191.8 [7.50-7.55]	238.5 [9.39]	24	132.1-134.1 [5.20-5.28]	180.8 [7.12]	24	178.3-179.8 [7.02-7.08]	226.6 [8.92]	24	190.5-191.8 [7.50-7.55]	238.3 [9.38]
25	167.6-169.2 [6.60-6.66]	215.7 [8.49]	25	207.8-209.3 [8.18-8.23]	255.8 [10.07]	25	149.4-151.6 [5.88-5.97]	198.1 [7.80]	25	194.8-196.6 [7.67-7.74]	243.38 [9.58]	25	208.0-209.0 [8.19-8.23]	255.8 [10.07]
30	167.6-169.2 [6.60-6.66]	215.7 [8.49]	30	207.8-209.3 [8.18-8.23]	255.8 [10.07]	30	149.4-151.6 [5.88-5.97]	198.1 [7.80]	30	194.8-196.6 [7.67-7.74]	243.38 [9.58]	30	208.0-209.0 [8.19-8.23]	255.8 [10.07]

MOUNTING TYPE AJ		
DISP	C	E MAX
10	157.5-159.5 [6.20-6.28]	206.0 [8.11]
12	166.6-168.7 [6.56-6.64]	215.1 [8.47]
15	178.1-179.8 [7.01-7.08]	226.6 [8.92]
19	194.0-195.8 [7.64-7.71]	242.6 [9.55]
24	194.1-195.8 [7.64-7.71]	242.6 [9.55]
25	211.3-213.4 [8.32-8.40]	259.8 [10.23]
30	211.3-213.4 [8.32-8.40]	259.8 [10.23]



REV	DESCRIPTION	BY	CHK	DATE	ECN
A	ENGINEERING RELEASE	AGJ		7-16-02	M28446
B	ENGINEERING RELEASE "25" DISPLACEMENT TO ALL TABS	MGF		3-14-03	4351B

NOTE  
 I PORT OPTION AA

G K S

UNLESS OTHERWISE SPECIFIED ALL DIMENSIONS ARE IN		DRAWING BASED ON ANSI Y14.5M-1982	
INCHES <input type="checkbox"/>	MILLIMETERS <input checked="" type="checkbox"/>	THE REPRODUCTION, DISTRIBUTION, AND UTILIZATION OF THIS DOCUMENT, AS WELL AS THE COMMUNICATION OF ITS CONTENTS TO OTHERS WITHOUT EXPLICIT AUTHORIZATION IS PROHIBITED. OFFENDERS WILL BE HELD LIABLE FOR THE PAYMENT OF DAMAGES. ALL RIGHTS RESERVED IN THE EVENT OF THE GRANT OF A PATENT, UTILITY MODEL, OR DESIGN. (PER ISO 16016)	
TOLERANCES		MATERIAL/HEAT TREAT	
.XX +REF	----	DRWN BY/DATE	AGJ 7-18-02
.XXX +ONLY	----	CHECKED BY/DATE	SMM 7-22-02
UNSPECIFIED RADII ARE	----	ENGR BY/DATE	TIM 7-22-02
UNSPECIFIED DRAFT ANGLES ARE	----	METALLURGY BY/DATE	----
DRAWING FORMAT CAD <input checked="" type="checkbox"/> MANUAL <input type="checkbox"/>	THIRD ANGLE PROJECTION	TITLE	4000 COMPACT SERIES MOTOR PORT INSTALLATION
	DO NOT SCALE	NUMBER	A-1331-010
		SCALE	1/1
		SHEET	1 OF 1