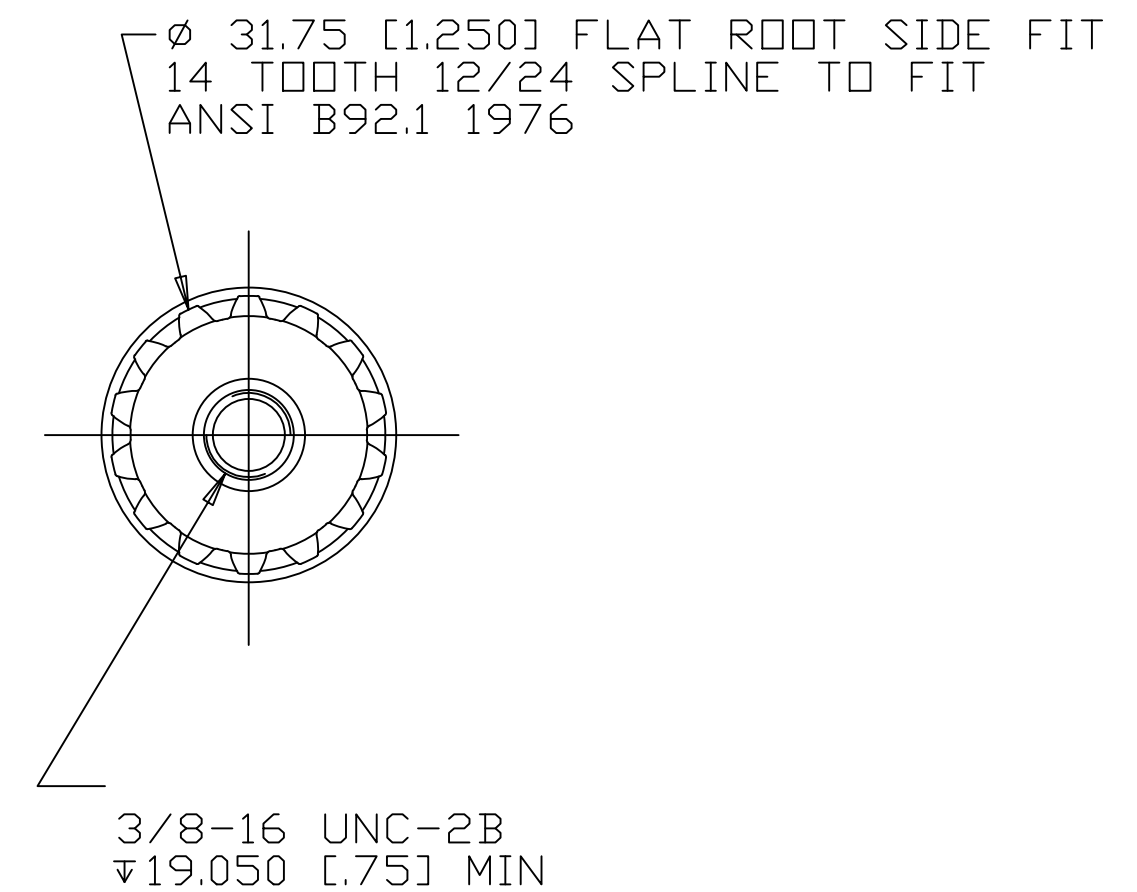
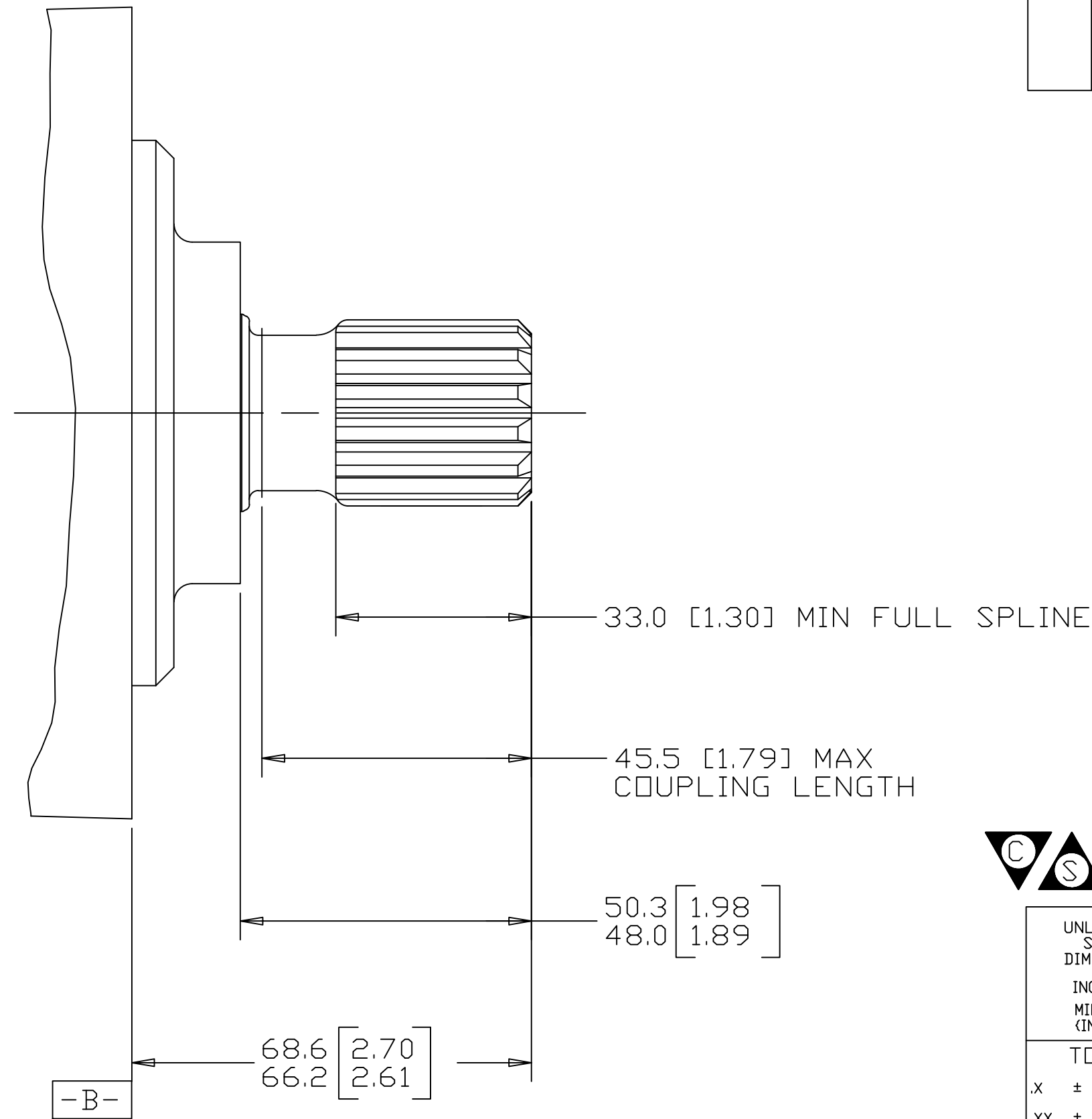


REV	DESCRIPTION	BY	CHK	DATE	ECN
A	ENGINEERING RELEASE	AGJ		7-29-98	M20136
B	NOTE 1 MTG CODE "AG" WAS "G"	RAF		12-18-98	M20963
C	REVISE TITLE BLOCK	SSP	VVH	02-24-23	0139446



REVIEWED FOR CLASSIFICATION PER ESP-042 G K S

NOTE

- 1 MOUNTING TYPE: OPTION AG
- 2 OUTPUT SHAFT: OPTION 04 & 28

UNLESS OTHERWISE SPECIFIED ALL DIMENSIONS ARE IN INCHES <input type="checkbox"/> MILLIMETERS (INCHES) <input checked="" type="checkbox"/>	DRAWING BASED ON ANSI Y14.5M-1982	
	THE REPRODUCTION, DISTRIBUTION, AND UTILIZATION OF THIS DOCUMENT, AS WELL AS THE COMMUNICATION OF ITS CONTENTS TO OTHERS WITHOUT EXPLICIT AUTHORIZATION IS PROHIBITED. OFFENDERS WILL BE HELD LIABLE FOR THE PAYMENT OF DAMAGES. ALL RIGHTS RESERVED IN THE EVENT OF THE GRANT OF A PATENT, UTILITY MODEL, OR DESIGN. (PER ISO 16016)	
TOLERANCES .X ± ---- .XX ± REF .XXX ± ONLY ∠ ± ----	DRAWN BY/DATE AGJ 8-31-98	MATERIAL/HEAT TREAT
UNSPECIFIED RADII ARE ----	CHECKED BY/DATE	TITLE 4000 COMPACT SERIES MOTOR SHAFT INSTALLATION
UNSPECIFIED DRAFT ANGLES ARE ----	ENGRG BY/DATE METALLURGY BY/DATE	
DRAWING FORMAT CADD <input checked="" type="checkbox"/> MANUAL <input type="checkbox"/>	THIRD ANGLE PROJECTION 	MICROINCHES <input type="checkbox"/> MICROMETERS (MICROINCHES) <input type="checkbox"/>
	DO NOT SCALE	ARITHMETICAL AVERAGE <input checked="" type="checkbox"/>
		NUMBER A-1330-002
		SCALE 1/1 SHEET 1 OF 1

*Danfoss*