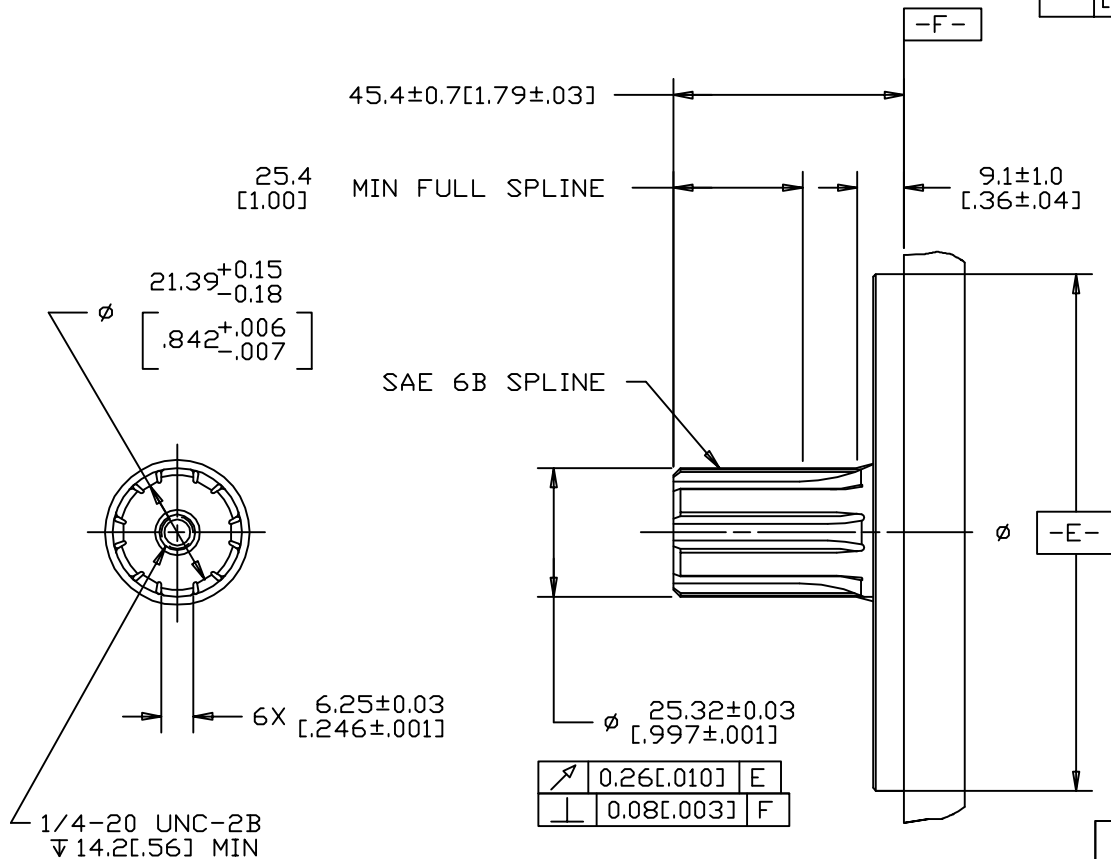


REV	DESCRIPTION	BY	CHK	DATE	ECN / MPS
A	ENGINEERING RELEASE	SMM		05-15-02	M27940
B	-1>NOTE 2 MOUNT.TYPE WAS H -2>45.4±0.7 [1.79±.03] WAS 45.3±0.8[1.78±.03]	SSD		5/26/10	M79220



NOTE

- 1 OUTPUT SHAFT: OPTION A8
- 2 MOUNTING TYPE: OPTION DA,DD,DN,DS



REVIEWED FOR CLASSIFICATION OF CHARACTERISTICS PER ESP-042

UNLESS OTHERWISE SPECIFIED ALL DIMENSIONS ARE IN INCHES <input type="checkbox"/> MILLIMETERS <input checked="" type="checkbox"/>	DRAWING BASED ON ANSI Y14.5M-1982	
	THE REPRODUCTION, DISTRIBUTION, AND UTILIZATION OF THIS DOCUMENT, AS WELL AS THE COMMUNICATION OF ITS CONTENTS TO OTHERS WITHOUT EXPLICIT AUTHORIZATION IS PROHIBITED. OFFENDERS WILL BE HELD LIABLE FOR THE PAYMENT OF DAMAGES. ALL RIGHTS RESERVED IN THE EVENT OF THE GRANT OF A PATENT, UTILITY MODEL, OR DESIGN. (PER ISO 16016)	
TOLERANCES .X ± --- .XX ± --- .XXX ± --- ∅ ± ---°	DRAWN SMM BY/DATE 05-20-02	MATERIAL/HEAT TREAT -
UNSPECIFIED RADII ARE: -----	CHECKED AGJ BY/DATE 05-20-02	TITLE SHAFT INSTALLATION
UNSPECIFIED DRAFT ANGLES ARE: -----°	ENGRG RVA BY/DATE 05-20-02	NUMBER A-723-111
B SIZE	THIRD ANGLE PROJECTION 	SCALE 1/1
	DO NOT SCALE	SHEET 1 OF 1

