

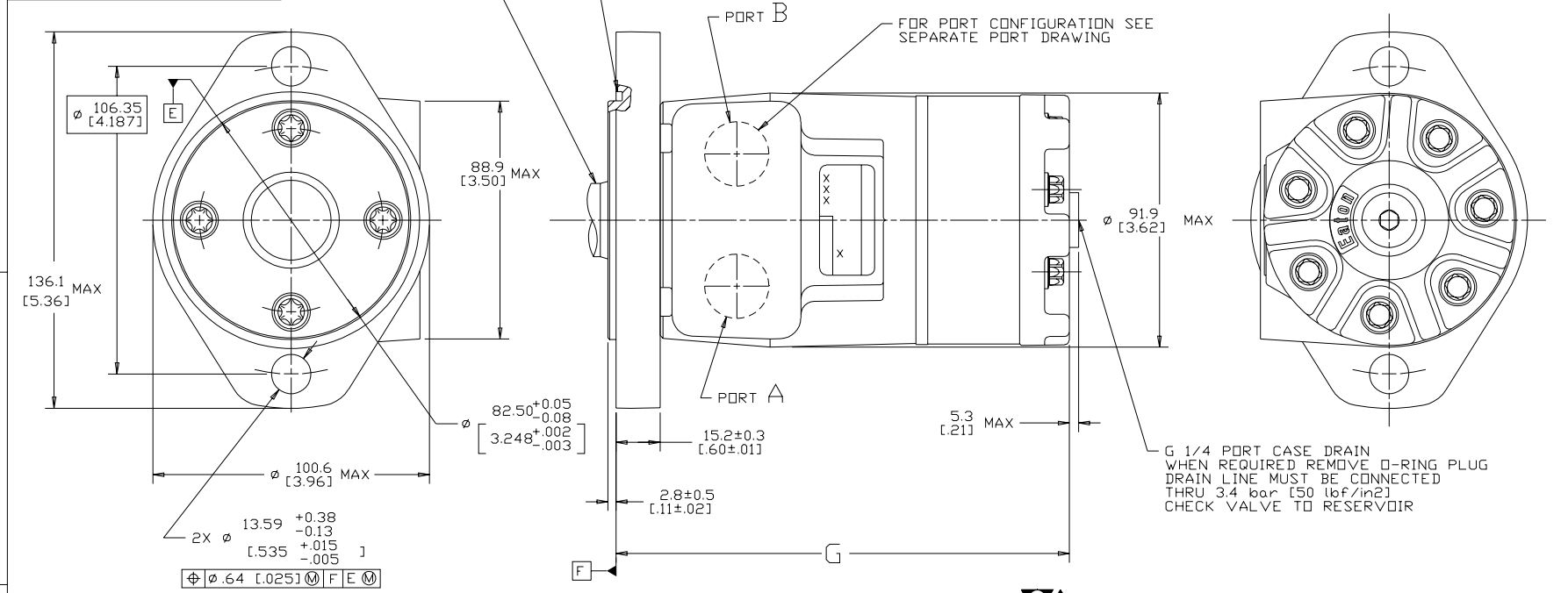
DISPL CODE	G MAX
018	132.2 [5.21]
022	132.2 [5.21]
025	133.1 [5.24]
030	134.6 [5.30]
036	136.4 [5.37]
040	137.6 [5.42]
049	140.2 [5.52]
062	144.2 [5.68]
080	149.6 [5.89]
096	154.4 [6.08]
119	161.2 [6.35]
149	170.2 [6.70]
187	181.6 [7.15]
226	193.3 [7.61]
298	215.0 [8.46]

FOR SHAFT CONFIGURATION SEE SEPARATE SHAFT DRAWING

GROOVE PROVIDED FOR 82.6 [3.25] I.D. X 2.62 [0.103] CROSS SECTION O-RING (DASH NO. 152)

FOR PORT CONFIGURATION SEE SEPARATE PORT DRAWING

REV	DESCRIPTION	BY	DATE	ECN
A	ENGINEERING RELEASE	RAF	2-8-94	M11208
B	(2B) DIM 5.3 [0.21] MAX WAS 3.8 [0.15] MAX	JMM	10-18-94	25844
C	-1>(3C) 88.9 [3.50] MAX WAS 84.6 [3.33] MAX -2>(2C) Ø 91.9 [3.62] MAX WAS Ø 87.9 [3.46] MAX	JMM	10-26-94	26147
D	<4B>Ø13.59+0.38/-0.13 [0.535+0.015/-0.005] WAS Ø13.59+0.13 [0.535+0.005]	AGJ	1-28-02	39853
E	-1>(4B) WAS 131.4 [5.17] MAX. -2>(4B) WAS 96.8 [3.81] MAX.	AAK	04-07-04	46856
F	<4D> ADDED DISPL CODE "A3"	RG	6-7-06	54819
G	-1>(4D) UPDATED TABLE FOR DISPL CODE -2>(4A) NOTE 2 MOUNTING FLANGE WAS "A"	PM	03-27-07	0004355
H	-1>REVISED AS PER STACK-UP -2>REVISED PICTORIALLY -3>UPDATED TO ASME Y14.5-2009 STANDARD	NRI	03-20-14	M92343
J	<4A> NOTE 3 WAS CASE DRAIN :2..	SSP	12-26-15	0068068_1



G 1/4 PORT CASE DRAIN WHEN REQUIRED REMOVE O-RING PLUG DRAIN LINE MUST BE CONNECTED THRU 3.4 bar [50 lbf/in²] CHECK VALVE TO RESERVOIR

- NOTE
- ROTATION STANDARD WHEN FACING SHAFT END OF MOTOR SHAFT TO ROTATE CLOCKWISE WHEN PORT "A" IS PRESSURIZED COUNTERCLOCKWISE WHEN PORT "B" IS PRESSURIZED REVERSE WHEN FACING SHAFT END OF MOTOR, SHAFT TO ROTATE CLOCKWISE WHEN PORT "B" IS PRESSURIZED COUNTERCLOCKWISE WHEN PORT "A" IS PRESSURIZED
 - MOUNTING FLANGE AA = STANDARD, 2 BOLT: Ø 82.6 [3.25] X 3.0 [0.12] PILOT Ø 13.59 [0.535] HOLES ON Ø 106.2 [4.18] BOLT CIRCLE
 - CASE DRAIN 02 = G 1/4 PORT (END CAP)

REVIEWED FOR CLASSIFICATION PER ESP -042

UNLESS OTHERWISE SPECIFIED ALL DIMENSIONS ARE IN		DRAWING BASED ON ANSI Y14.5-2009	
INCHES	<input type="checkbox"/>	EATON CORPORATION - CONFIDENTIAL AND PROPRIETARY NOTICE TO PERSONS RECEIVING THIS DRAWING AND / OR TECHNICAL INFORMATION	
MILLIMETERS (INCHES)	<input checked="" type="checkbox"/>	THIS DOCUMENT INCLUDING THE REVISED INFORMATION CONTAINED HEREIN IS CONFIDENTIAL AND IS THE PROPERTY OF EATON CORPORATION AND IS NOT TO BE LOANED, REPRODUCED, COPIED, OR DISSEMINATED IN ANY MANNER WITHOUT THE WRITTEN PERMISSION OF EATON CORPORATION. NOTICE AND NOTICE OF CONFIDENTIALITY ARE NOT TO BE APPLIED TO THIS DOCUMENT.	
TOLERANCES		EATON Powering Business Worldwide Eaton Hydraulics LLC 14615 Lone Oak Road Eden Prairie, MN 55344 USA	
x ±	----	DRAWN BY/DATE	RAF 2/4/94
xx ±	----	CHECKED BY/DATE	SDR 2/23/94
xxx ±	----	ENGRG BY/DATE	RVA 3/3/94
∠	----	MATERIAL/HEAT TREAT	----
UNSPECIFIED RADI ARE	----	TITLE	
UNSPECIFIED DRAFT ANGLES ARE	----	T MOTOR INSTALLATION	
THIRD ANGLE PROJECTION	<input checked="" type="checkbox"/>	MICROINCHES (MICROINCHES)	NUMBER
ARITHMETICAL AVERAGE	<input type="checkbox"/>	A-821-007	
D SIZE	DO NOT SCALE	SCALE	1/1
		SHEET	1 OF 1