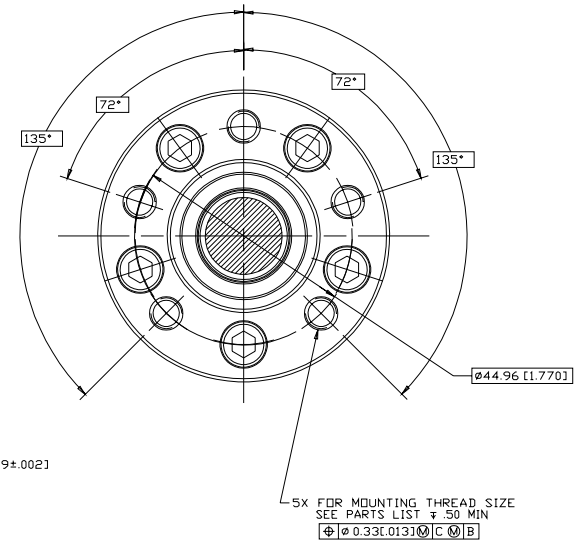
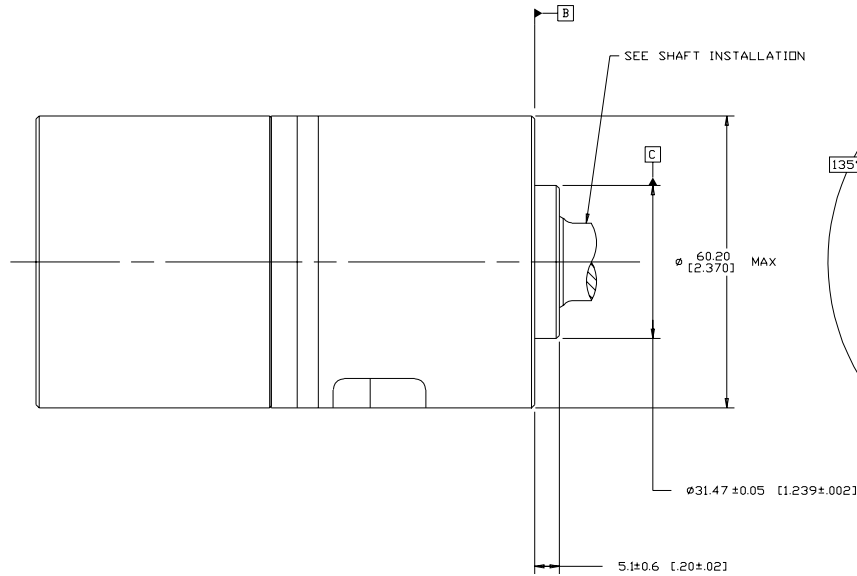
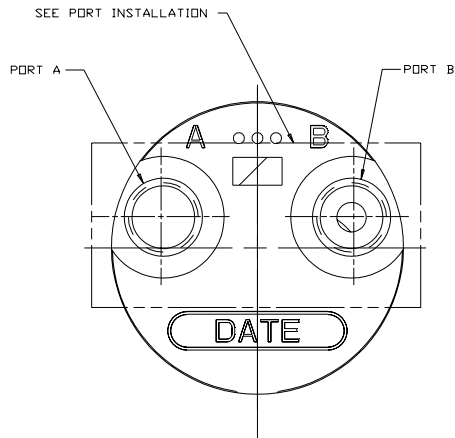


REV	DESCRIPTION	BY	DATE	ECN
A	ENGINEERING RELEASE	RAF	1-25-94	24688
B	(7C) REVISED PICTORIALY	RAF	3-15-94	25312
C	(7B) REVISED PICTORIALY	RAF	1-23-96	27675
D	(4A) ADDED MOUNTING TYPE "L" TO NOTE 2	AGJ	3-7-00	M23009
E	(1)REVISED PICTORIALY (2)DRAWING UPDATED AS PER ASME Y14.5-2009 STANDARDS	JVD	04-22-15	M96537



NOTE

- 1 ROTATION
 0 = STANDARD: WHEN FACING SHAFT END OF MOTOR SHAFT TO ROTATE CLOCKWISE WHEN PORT "A" IS PRESSURIZED COUNTERCLOCKWISE WHEN PORT "B" IS PRESSURIZED
 1 = REVERSE: WHEN FACING SHAFT END OF MOTOR SHAFT TO ROTATE COUNTERCLOCKWISE WHEN PORT "A" IS PRESSURIZED CLOCKWISE WHEN PORT "B" IS PRESSURIZED
- 2 MOUNTING FLANGE:
 A = 5 BOLT: $\phi 31.47$ [1.239] X 5.1 [1.20] PILOT $1/4-28$ UNF-2B MOUNTING HOLES ON $\phi 45.0$ [1.77] BOLT CIRCLE
 B = 5 BOLT: $\phi 31.47$ [1.239] X 5.1 [1.20] PILOT M6 X 1.0-6H MOUNTING HOLES ON $\phi 45.0$ [1.77] BOLT CIRCLE
 J = 5 BOLT: $\phi 31.47$ [1.239] X 5.1 [1.20] PILOT $1/4-28$ UNF-2B MOUNTING HOLES ON $\phi 45.0$ [1.77] BOLT CIRCLE WITH 3X $5/16-18$ UNF-2B MOUNTING HOLES ON REAR
 L = 5 BOLT: $\phi 31.47$ [1.239] X 5.1 [1.20] PILOT $1/4-28$ UNF-2B MOUNTING HOLES ON $\phi 45.0$ [1.77] BOLT CIRCLE WITH 4X $3/8-16$ UNC-2B MOUNTING HOLES ON REAR

UNLESS OTHERWISE SPECIFIED ALL DIMENSIONS ARE IN		DRAWING BASED ON ASME Y14.5-2009	
INCHES	<input type="checkbox"/>	THE REPRODUCTION, DISTRIBUTION AND UTILIZATION OF THIS DOCUMENT AS WELL AS THE COMMUNICATION OF ITS CONTENTS TO OTHERS WITHOUT EXPLOIT AUTHORIZATION IS PROHIBITED. OFFENDERS WILL BE HELD LIABLE FOR THE PAYMENT OF DAMAGES. ALL RIGHTS RESERVED IN THE EVENT OF THE GRANT OF A PATENT, UTILITY MODEL, OR DESIGN (PER ISO 10106)	
MILLIMETERS	<input checked="" type="checkbox"/>		
TOLERANCES			
xx ± REF	BY DATE		
xxx ± ONLY	BY DATE	DRAWN BY: RAF 1/27/94 CHECKED BY: AGJ 2/9/94 MATERIAL/HEAT TREAT	
UNSPECIFIED RADI	BY DATE	ENGR: W/BW 2/9/94 METALLURGY BY DATE	TITLE
UNSPECIFIED DRAFT ANGLES ARE			J2 MOTOR INSTALLATION
THIRD ANGLE PROJECTION			RECORDS NUMBER (SEE MICROFICHE) NUMBER A-817-001
D SIZE	DO NOT SCALE	THIRD ANGLE PROJECTION ARITHMETICAL AVERAGE	SCALE 2/1 SHEET 1 OF 1