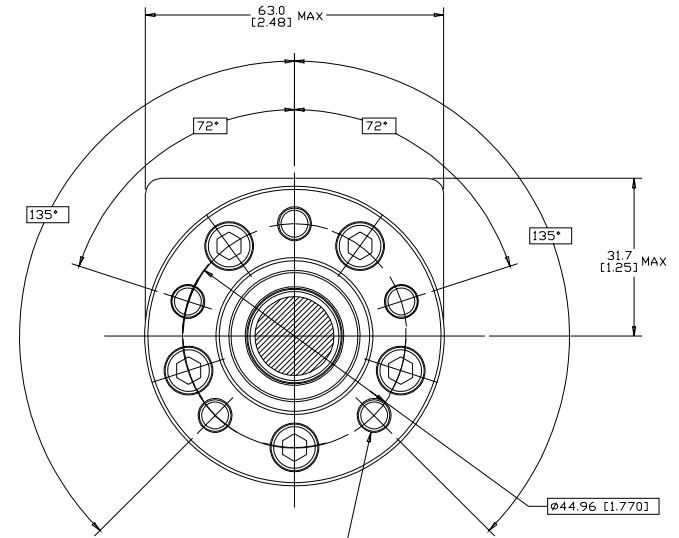
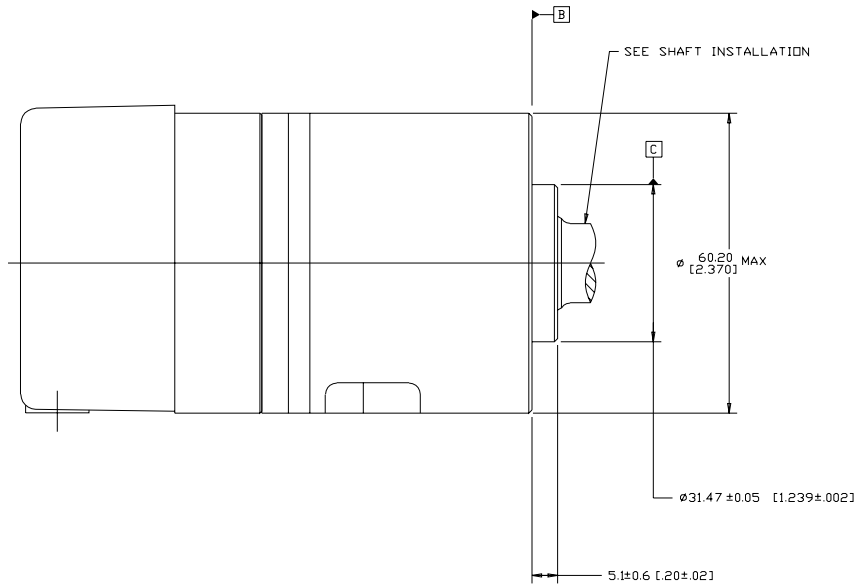
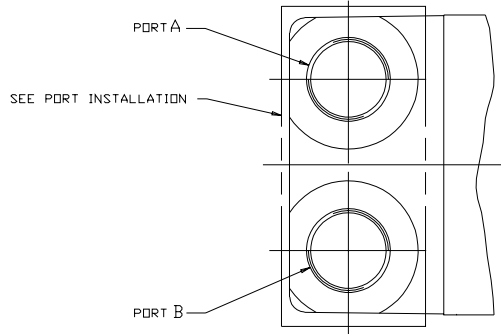


REV	DESCRIPTION	BY	DATE	ECN
A	ENGINEERING RELEASE	RAF	1-29-94	24688
B	(7B) REVISED PICTORIALY, ADDED CASE DRAIN	RAF	1-23-96	27675
C	-1X(2C) 61.7 [2.43] WAS 60.5 [2.38] -2X(C) 34.3 [1.35] WAS 32.8 [1.29] -3X(2B) ϕ 0.33(0.13) ϕ B(C) WAS ϕ 0.33(0.13) ϕ C(B) -4) DRAWING UPDATED TO ASME Y14.5-2009 STANDARD	CSG	3-17-14	M92323
D	-1X(C) 31.7 [1.25] WAS 34.3 [1.35] -2X(2C) 63.0 [2.48] WAS 61.7 [2.43]	JVD	02-05-13	M95526



NOTE

- ROTATION
 0 = STANDARD: WHEN FACING SHAFT END OF MOTOR SHAFT TO ROTATE CLOCKWISE WHEN PORT 'A' IS PRESSURIZED COUNTERCLOCKWISE WHEN PORT 'B' IS PRESSURIZED
 1 = REVERSE: WHEN FACING SHAFT END OF MOTOR SHAFT TO ROTATE CLOCKWISE WHEN PORT 'B' IS PRESSURIZED COUNTERCLOCKWISE WHEN PORT 'A' IS PRESSURIZED
- MOUNTING FLANGE:
 A = 5 BOLT: ϕ 31.47 [1.239] X 5 [1.20] PILOT 1/4-28 UNF-2B MOUNTING HOLES ON ϕ 45.0 [1.77] BOLT CIRCLE
 B = 5 BOLT: ϕ 31.47 [1.239] X 5 [1.20] PILOT M6 X 1.0-6H MOUNTING HOLES ON ϕ 45.0 [1.77] BOLT CIRCLE

REVIEWED FOR CLASSIFICATION PER ESP -042

UNLESS OTHERWISE SPECIFIED DIMENSIONS ARE IN INCHES DIMENSIONS IN MILLIMETERS <input checked="" type="checkbox"/>		DRAWING BASED ON ASME Y14.5-2009	
TOLERANCES		THE REPRODUCTION, DISTRIBUTION AND UTILIZATION OF THIS DOCUMENT, AS WELL AS THE COMMUNICATION OF ITS CONTENTS TO OTHERS WITHOUT EXPRESS AUTHORIZATION IS PROHIBITED. OFFENDERS WILL BE HELD LIABLE FOR THE PAYMENT OF DAMAGES. ALL RIGHTS RESERVED IN THE EVENT OF A PATENT, UTILITY MODEL, OR DESIGN. (PER ISO 9000)	
X =	REF	DATE	MATERIAL/HEAT TREAT
XX =	DRAWN BY	DATE	
XXX =	CHECKED BY	DATE	
UNSPECIFIED RADI ARE	UNSPECIFIED DRAFT ANGLES ARE	UNSPECIFIED THIRD ANGLE PROJECTION	UNSPECIFIED DIMENSIONS ARE IN MILLIMETERS <input checked="" type="checkbox"/>
D SIZE		SCALE 2/1 SHEET 1 OF 1	



J2 MOTOR INSTALLATION

A-817-002