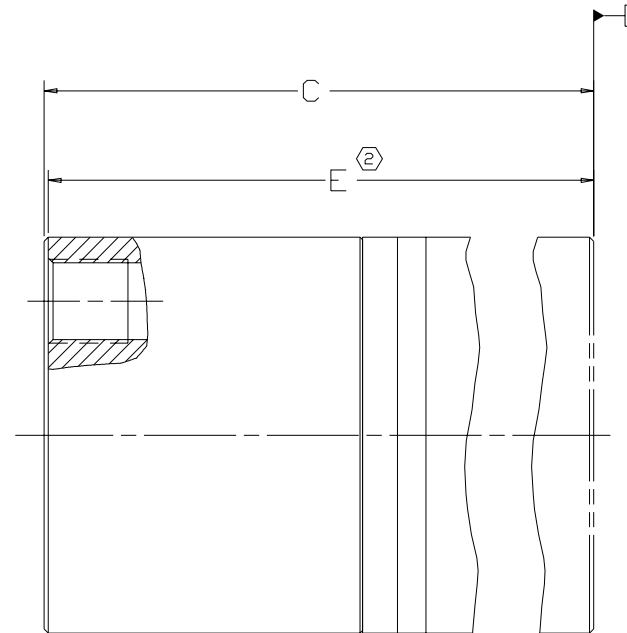
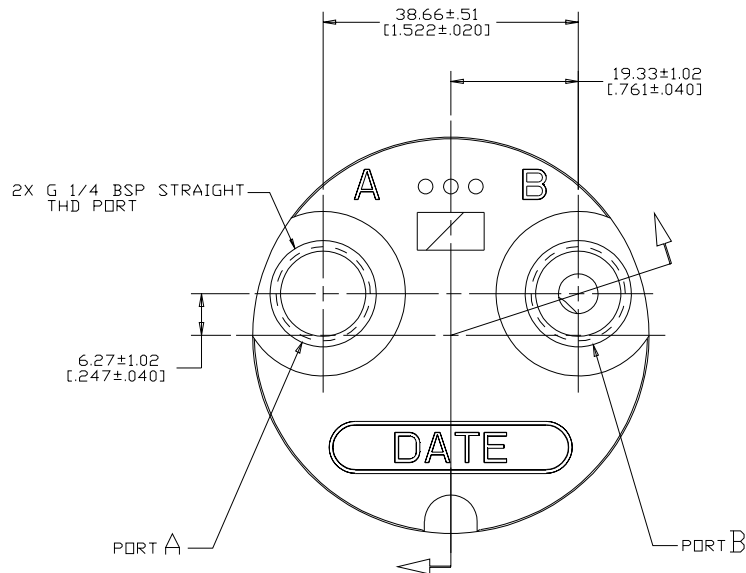


DISPL CODE	E	C MAX
05	102.21±0.81 [4.024±.032]	104.2 [4.10]
08	105.28±0.81 [4.145±.032]	107.2 [4.22]
10	107.52±0.81 [4.233±.032]	109.5 [4.31]
12	109.73±0.81 [4.320±.032]	111.7 [4.40]
19	117.37±0.81 [4.621±.032]	119.3 [4.70]
30	128.73±0.81 [5.068±.032]	130.7 [5.15]

REV	DESCRIPTION	BY	CHK	DATE	ECN / MPS
A	ENGINEERING RELEASE	RAF		1-23-96	27675
B	(4D)ADDED DISPL CODE 30	GCB		5-6-96	M15295
C	-1(X4) ADDED DISP CODE 10 TO TABULATION BLOCK -2(X3C) 19.33±1.02 [7.61±.040] WAS 19.33±0.51 [7.61±.020] -3(X4B)6.27±1.02 [2.47±.040] WAS 6.27±1.02 [2.47±.020] -4)DRAWING UPDATED TO ASME Y14.5-2009 STANDARD	CSG		1-27-04	M91725
D	-1)REVISED AS PER STACK UP -2)REVISED PICTORIALY	JVD		04-22-15	M96537
E	-1(X3C)DIM 38.66±.51 [1.522±.020] WAS 38.66±1.02 [1.522±.040]	YUP	YUP	03-27-15	0062470



NOTE

- 1 PORT TYPE B
- (2) DIMENSION TAKEN FROM G 1/4 PORT

CS REVIEWED FOR CLASSIFICATION PER ESP-042

UNLESS OTHERWISE SPECIFIED ALL DIMENSIONS ARE IN INCHES		DRAWING BASED ON ASME Y14.5-2009	
MILLIMETERS (INCHES)		THE REPRODUCTION, DISTRIBUTION, AND UTILIZATION OF THIS DOCUMENT, AS WELL AS THE COMMUNICATION OF ITS CONTENTS TO OTHERS WITHOUT EXPLICIT AUTHORIZATION IS PROHIBITED. OFFENDERS WILL BE HELD LIABLE FOR THE PAYMENT OF DAMAGES. ALL RIGHTS RESERVED IN THE EVENT OF THE GRANT OF A PATENT, UTILITY MODEL, OR DESIGN. (PER ISO 16016)	
TOLERANCES			
.X ± ---			
.XX ± ---		DRAWN BY/DATE RAF 2-9-96	
.XXX ± ---		MATERIAL/HEAT TREAT -	
< ± .5		CHECKED BY/DATE SDR 2-21-96	
UNSPECIFIED RADII ARE:		ENGRG BY/DATE RVA 2-22-96	
-		METALLURGY BY/DATE ---	
UNSPECIFIED DRAFT ANGLES ARE:		TITLE J2 MOTOR PORT INSTALLATION	
-		THIRD ANGLE PROJECTION	
C SIZE		DO NOT SCALE	
UNLESS OTHERWISE SPECIFIED ALL DIMENSIONS ARE IN INCHES		NUMBER A-818-026	
THIRD ANGLE PROJECTION		SCALE 2/1 SHEET 1 OF 1	
ARTHEMETICAL AVERAGE			