

DISPLACEMENT	A	B
PVM57/63	14,5 [.57]	68,70 [2.705]
PVM74/81		68,30 [2.689]
PVM98/106		68,30 [2.689]
PVM131/141	14,0 [.551]	69,7 [2.74]

REV	DESCRIPTION	BY	CHK	DATE	ECN / MPS
A	ENGINEERING RELEASE	JLW	JGS	9/21/00	36517

D

D

C

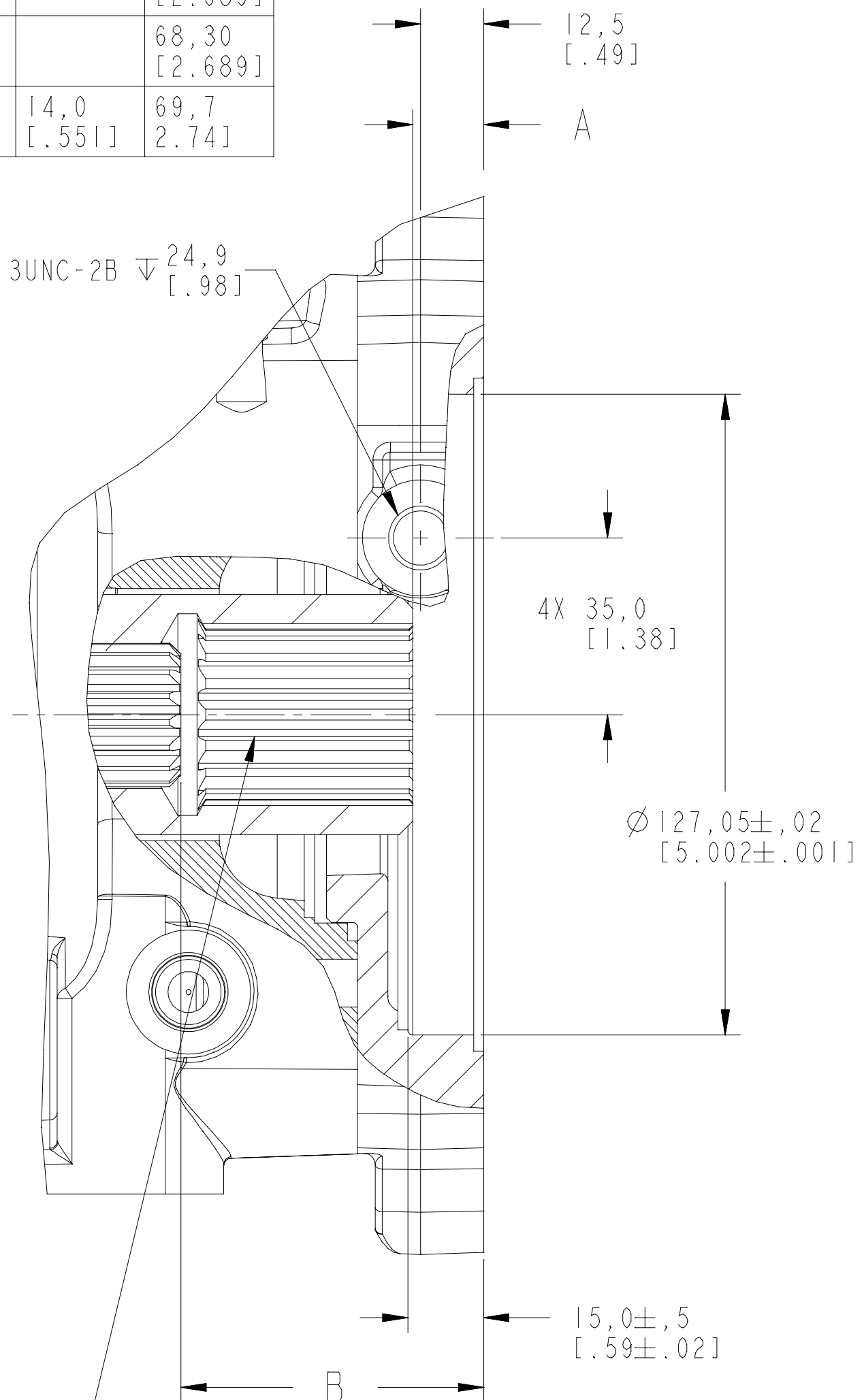
C

B

B

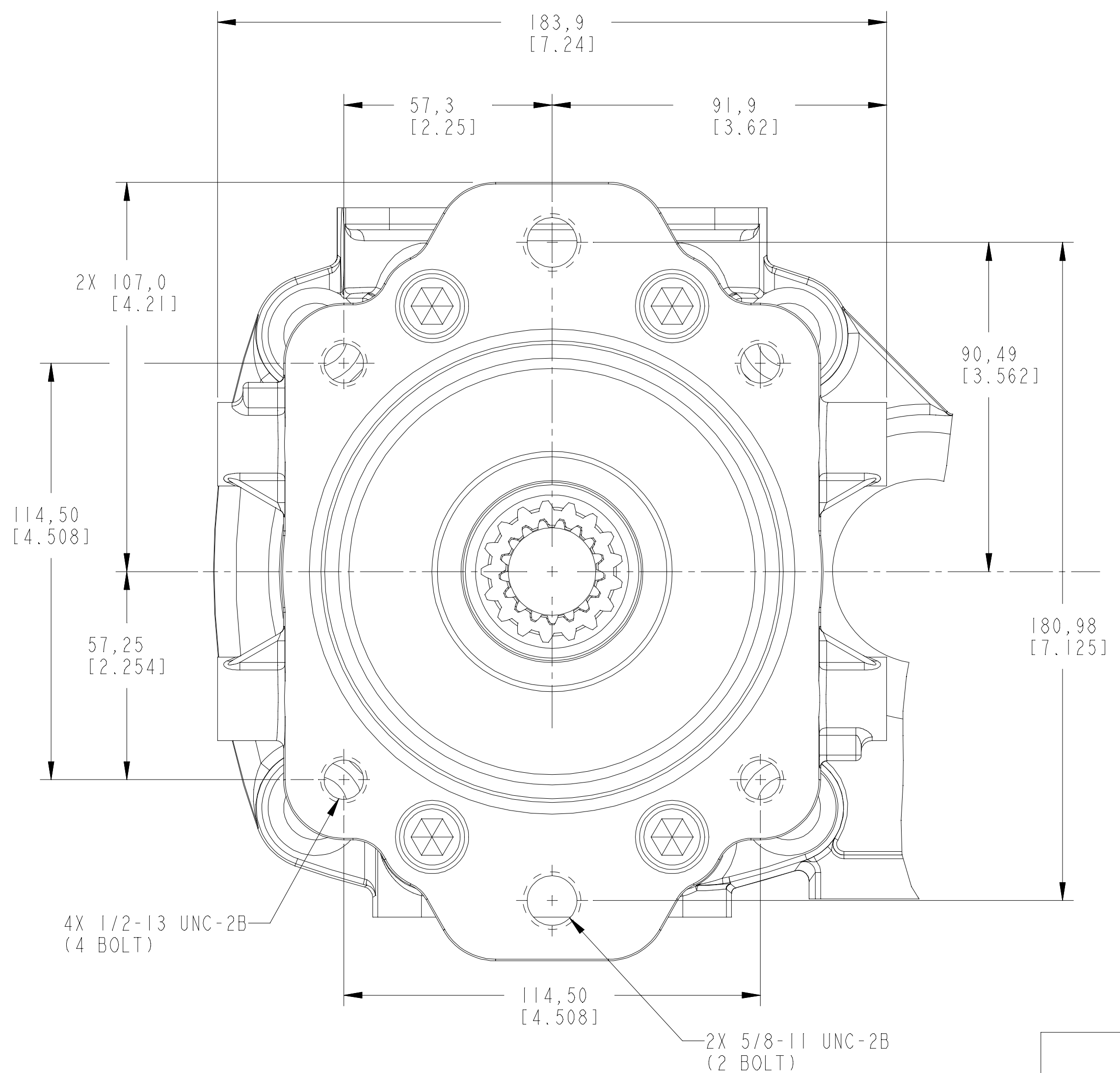
A

A



SPLINE TO MATE WITH INTERNAL INVOLUTE  
FLAT ROOT SIDE FIT 17 TOOTH 12/24 PITCH  
30° PRESSURE ANGLE PER ANSI B92.1a - 1976

NOTE  
I MOUNTING FLANGE SPECIFICATION J744-127-2&4



UNLESS OTHERWISE SPECIFIED ALL DIMENSIONS ARE IN INCHES <input type="checkbox"/> MILLIMETERS (INCHES) <input checked="" type="checkbox"/>	DRAWING BASED ON ANSI Y14.5M-1982	
	THE REPRODUCTION, DISTRIBUTION, AND UTILIZATION OF THIS DOCUMENT, AS WELL AS THE COMMUNICATION OF ITS CONTENTS TO OTHERS WITHOUT EXPLICIT AUTHORIZATION IS PROHIBITED. OFFENDERS WILL BE HELD LIABLE FOR THE PAYMENT OF DAMAGES. ALL RIGHTS RESERVED IN THE EVENT OF THE GRANT OF A PATENT, UTILITY MODEL, OR DESIGN. (PER ISO 16016)	
TOLERANCES .X $\pm$ ---- .XX $\pm$ ---- .XXX $\pm$ ---- $\angle$ $\pm$ ----	DRAWN JLW BY/DATE 12/1/00	MATERIAL/HEAT TREAT
UNSPECIFIED RADII ARE: ----	CHECKED JGS BY/DATE 1/16/01	TITLE C-C PAD ADAPTER INSTALLATION
UNSPECIFIED DRAFT ANGLES ARE: -----°	ENGRG J1 BY/DATE 2/8/01	NUMBER A-2170-006
THIRD ANGLE PROJECTION DO NOT SCALE	METALLURGY BY/DATE	SCALE 1/1 SHEET 1 OF 1
	MICROINCHES <input type="checkbox"/> MICROMETERS (MICROINCHES) <input checked="" type="checkbox"/>	
	ARITHMETICAL AVERAGE <input checked="" type="checkbox"/>	

DISTRIBUTION CODE(S)



4

3

2

1