

8 MOUNTING TYPE AA & AM

7 MOUNTING TYPE AB,AD,AE,AF & AP,AR

6 MOUNTING TYPE AC

5 MOUNTING TYPE AH

3 2 1

DISP	C	D MAX
120	104.3-106.5 [4.11-4.19]	188.4 [7.42]
150	109.9-112.1 [4.33-4.41]	194.0 [7.64]
190	117.3-119.4 [4.62-4.70]	201.2 [7.92]
239	126.2-128.3 [4.97-5.05]	210.1 [8.27]
300	137.1-139.2 [5.40-5.48]	221.1 [8.71]
381	151.8-154.0 [5.98-6.06]	235.8 [9.28]
450	164.4-166.5 [6.47-6.55]	248.4 [9.78]
490	171.7-173.8 [6.76-6.84]	255.7 [10.07]
600	191.7-193.9 [7.55-7.63]	275.5 [10.85]

DISP	C	D MAX
120	185.9-189.5 [7.32-7.46]	270.4 [10.65]
150	191.5-195.1 [7.54-7.68]	276.0 [10.87]
190	198.8-202.5 [7.83-7.97]	283.3 [11.15]
239	207.5-211.1 [8.17-8.31]	292.1 [11.50]
300	218.6-222.3 [8.61-8.75]	303.2 [11.94]
381	233.1-237.0 [9.18-9.33]	317.9 [12.52]
450	245.7-249.5 [9.67-9.82]	330.5 [13.01]
490	253.0-256.8 [9.96-10.11]	337.7 [13.30]
600	273.0-276.9 [10.75-10.90]	357.6 [14.08]

DISP	C	D MAX
120	101.6-103.9 [4.00-4.09]	185.6 [7.31]
150	107.1-109.5 [4.22-4.31]	191.3 [7.53]
190	114.3-116.6 [4.50-4.59]	198.5 [7.82]
239	123.1-125.5 [4.85-4.94]	207.3 [8.16]
300	134.3-136.7 [5.29-5.38]	218.4 [8.60]
381	148.8-151.2 [5.86-5.95]	233.1 [9.18]
450	161.4-163.6 [6.35-6.44]	245.7 [9.67]
490	168.6-170.9 [6.64-6.73]	253.0 [9.96]
600	188.7-191.1 [7.43-7.52]	272.8 [10.74]

DISP	C	D MAX
120	168.6-170.2 [6.64-6.70]	252.4 [9.94]
150	174.3-175.8 [6.86-6.92]	258.0 [10.16]
190	181.5-183.1 [7.15-7.21]	265.3 [10.44]
239	190.3-191.9 [7.49-7.55]	274.1 [10.79]
300	201.4-202.9 [7.93-7.99]	285.1 [11.23]
381	216.1-217.6 [8.51-8.57]	299.8 [11.81]
450	228.7-230.2 [9.00-9.06]	312.4 [12.30]
490	235.9-237.5 [9.29-9.35]	319.7 [12.59]
600	255.8-257.4 [10.07-10.13]	339.6 [13.37]

REV	DESCRIPTION	BY	CHK	DATE	ECN
A	ENGINEERING RELEASE	RAF		8-28-95	M14044
B	(7D)ADDED MTG TYPE 'F' TO TAB BLOCK	RAF		1-10-97	M16098A
C	(5D)ADDED MTG TYPE 'H' TO TAB BLOCK	AGJ		3-28-98	M19152A
D	ADDED DISPLACEMENT CODE '49' TO ALL TABS	MGF		7/23/98	M20112
E	REVISED DISPLACEMENT CODE '49' TO ALL TABS	CMR		7-23-98	31517
F	(7D)ADDED MTG TYPE 'M' TO TAB BLOCK	SMH		10-19-01	M26309
G	ADDED DISPLACEMENT CODE '45' TO ALL TABS	VJP		10-17-05	M65687
H	REVISED	JSB		12-11-06	0001664
J	(4D) ADDED MTG TYPE 'AD' TO TAB BLOCK	KNR	SVG	03-26-09	M75577
K	REVISED	HRK	SKS	12-07-09	M77655
L	(6D)ADDED MOUNTING TYPE AP, AR TO TAB BLOCK	AA8	CSG	12-18-14	M95093

D

D

C

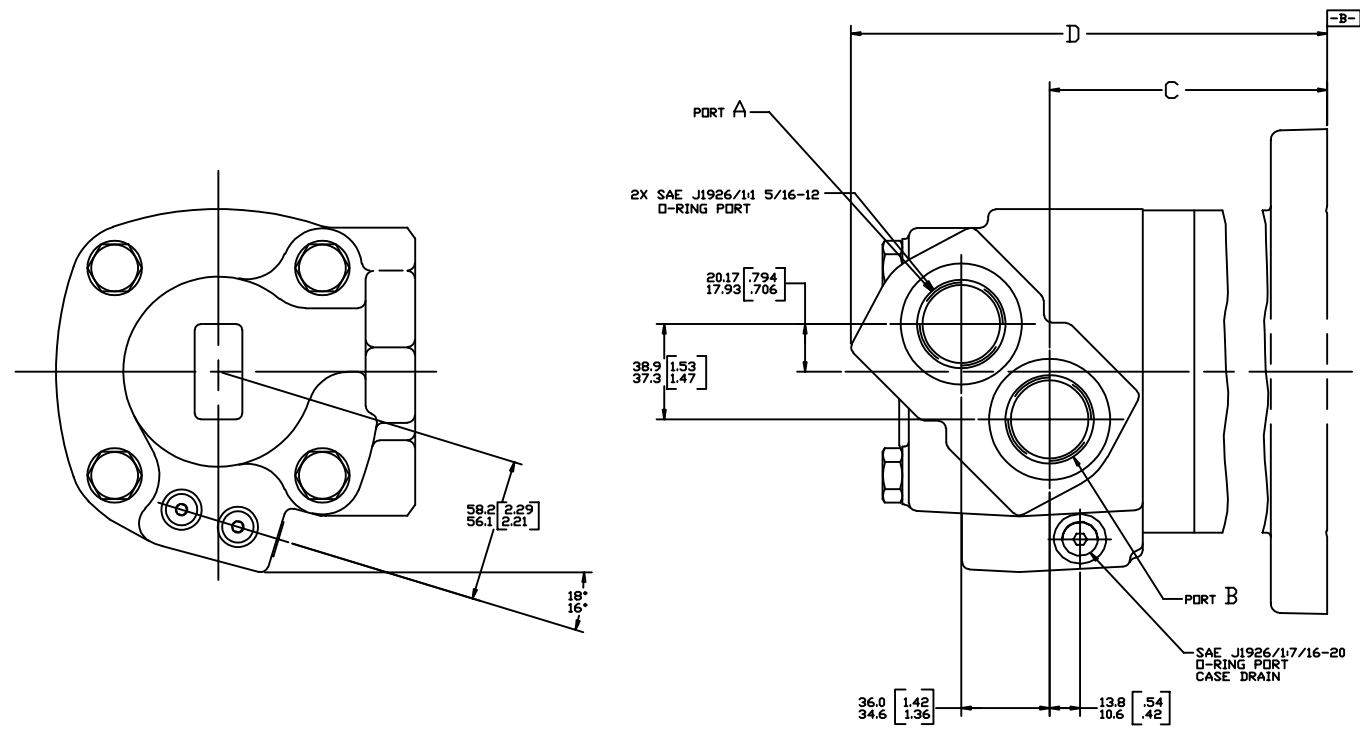
C

B

B

A

A



NOTE
1 PORT OPTION AA

REVIEWED FOR CLASSIFICATION PER ESP-042

UNLESS OTHERWISE SPECIFIED, ALL DIMENSIONS ARE IN INCHES	DRAWING BASED ON ANSI Y14.5M-1982	
TOLERANCES	UNLESS OTHERWISE SPECIFIED, ALL DIMENSIONS ARE IN INCHES	DATE: 12/18/14
UNSPECIFIED HOLE ARE	UNSPECIFIED HOLE ARE	UNSPECIFIED HOLE ARE
UNSPECIFIED DRAFT ANGLES ARE	UNSPECIFIED DRAFT ANGLES ARE	UNSPECIFIED DRAFT ANGLES ARE
UNSPECIFIED FINISHES ARE	UNSPECIFIED FINISHES ARE	UNSPECIFIED FINISHES ARE
DO NOT SCALE	DO NOT SCALE	DO NOT SCALE
SCALE 1/1	SHEET 1 OF 1	NUMBER A-1024-001

8

7

6

5

4

3

2

1