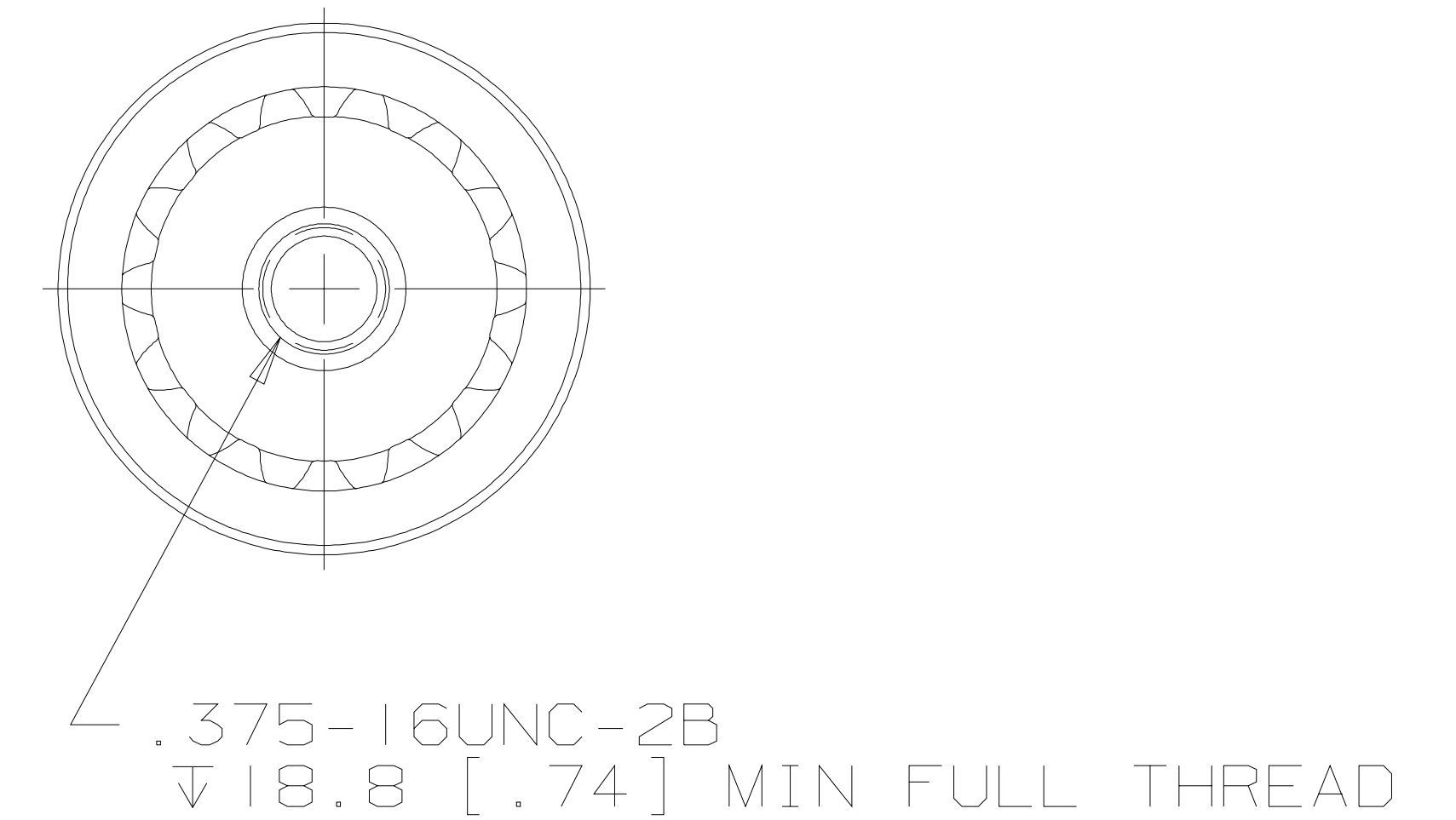
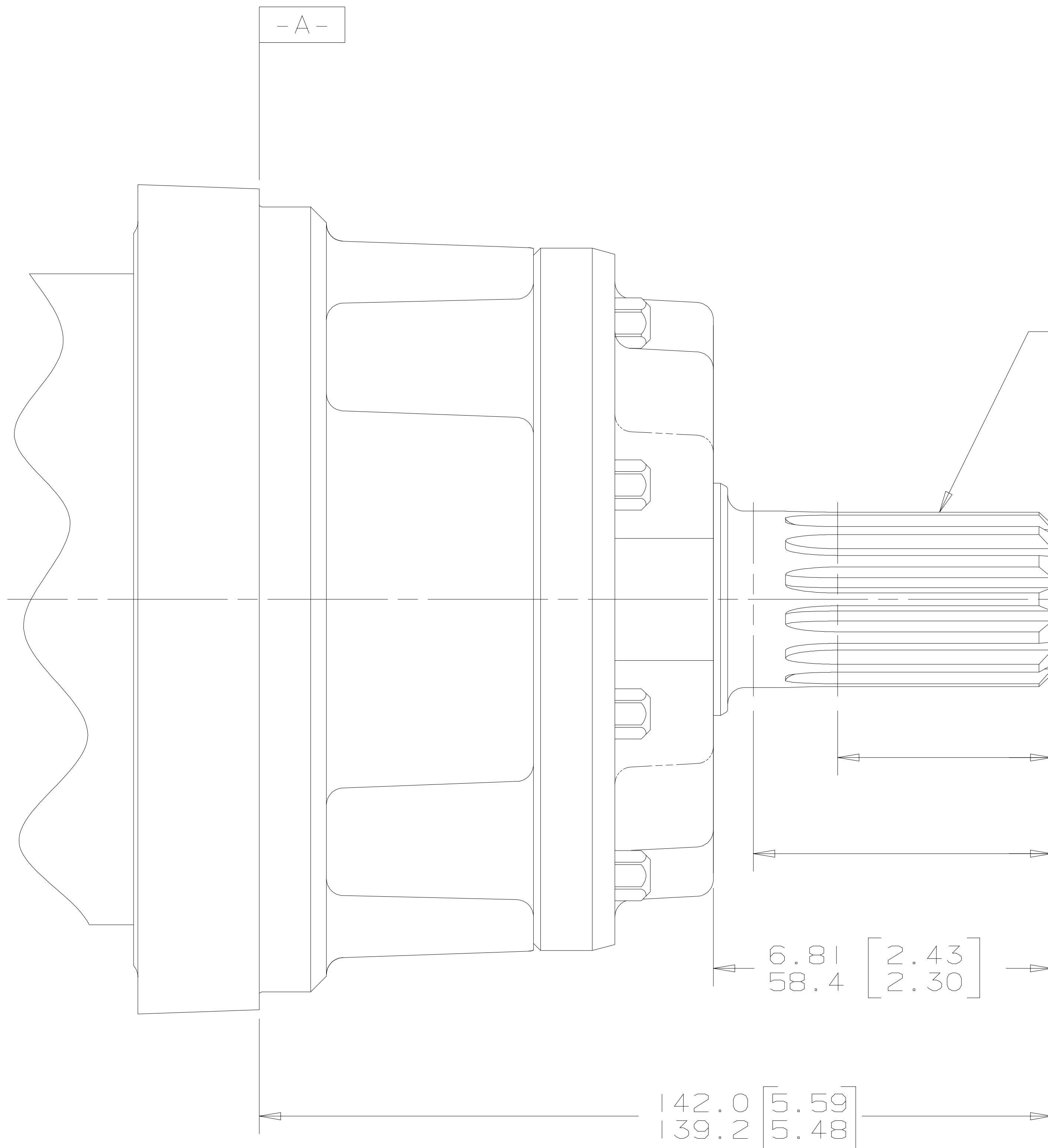


SYM	REVISION	BY	DATE	ECN
A	ENGINEERING RELEASE	SDR	2-8-92	21551
B	142.0/139.2 [5.59/5.48] WAS 142.8/138.9 [5.62/5.46]	AGJ	5-17-04	47918
C	MOUNTING TYPE WAS "C"	SSD	1-24-07	0002527



NOTE

- 1 MOUNTING TYPE: OPTION AC
- 2 OUTPUT SHAFT: OPTION O3

UNLESS OTHERWISE SPECIFIED ALL DIMENSIONS ARE IN		DRAWING BASED ON ANSI Y14.5M-1982	
INCHES <input type="checkbox"/>		THE REPRODUCTION, DISTRIBUTION, AND UTILIZATION OF THIS DOCUMENT, AS WELL AS THE COMMUNICATION OF ITS CONTENTS TO OTHERS WITHOUT EXPLICIT AUTHORIZATION IS PROHIBITED. OFFENDERS WILL BE HELD LIABLE FOR THE PAYMENT OF DAMAGES. ALL RIGHTS RESERVED IN THE EVENT OF THE GRANT OF A PATENT, UTILITY MODEL, OR DESIGN. (PER ISO 16016)	
MILLIMETERS [INCHES] <input checked="" type="checkbox"/>			
TOLERANCES		DRAWN BY/DATE SDR 4/9/92	
.X ±----			
.XX ±REF		CHECKED BY/DATE KJR 7-8-92	
.XXX ±ONLY		ENGRG BY/DATE RVA 7-31-92	
< ----		METALLURGY BY/DATE -----	
UNSPECIFIED RADII ARE		MATERIAL/HEAT TREAT	
UNSPECIFIED DRAFT ANGLES ARE		TITLE	
DRAWING FORMAT CADD <input checked="" type="checkbox"/> MANUAL <input type="checkbox"/>		4000 SERIES MOTOR SHAFT INSTALLATION	
THIRD ANGLE PROJECTION		NUMBER	
DO NOT SCALE		A-607-003	
ARITHMETICAL AVERAGE		SCALE 1/1	
		SHEET 1 OF 1	

