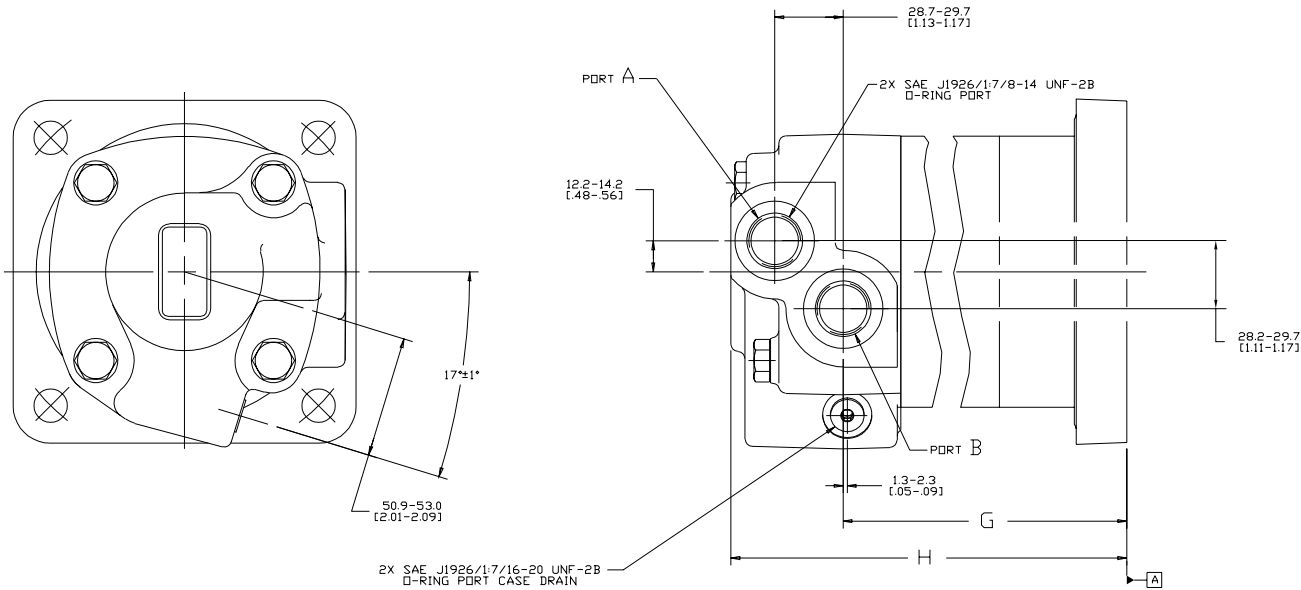


| 8 | | | 7 | | | 6 | | | 5 | | | 4 | | | 3 | | | 2 | | | 1 | | |
|-----------------------|----------------------------|------------------|-----------------------|----------------------------|------------------|---|--|--|---|--|--|---|--|--|---|--|--|---|--|--|---|--|--|
| MOUNTING TYPE AB & AM | | | MOUNTING TYPE AF & AJ | | | | | | | | | | | | | | | | | | | | |
| DISP | G | H MAX | DISP | G | H MAX | | | | | | | | | | | | | | | | | | |
| 067 | 157.5-159.2 [6.20-6.27] | 214.4 [8.44] | 067 | 161.6-163.4 [6.36-6.43] | 218.6 [8.61] | | | | | | | | | | | | | | | | | | |
| 080 | 161.5-163.2 [6.36-6.43] | 218.4 [8.60] | 080 | 165.7-167.5 [6.52-6.59] | 222.7 [8.77] | | | | | | | | | | | | | | | | | | |
| 099 | 167.9-169.6 [6.61-6.68] | 224.7 [8.85] | 099 | 172.0-173.8 [6.77-6.84] | 229.0 [9.01] | | | | | | | | | | | | | | | | | | |
| 125 | 176.4-178.1 [6.94-7.01] | 233.2 [9.18] | 125 | 180.5-182.3 [7.11-7.18] | 237.5 [9.35] | | | | | | | | | | | | | | | | | | |
| 150 | 167.9-169.6 [6.61-6.68] | 224.7 [8.85] | 150 | 172.0-173.8 [6.77-6.84] | 229.0 [9.01] | | | | | | | | | | | | | | | | | | |
| 171 | 172.2-174.0 [6.78-6.85] | 229.1 [9.02] | 171 | 176.4-178.2 [6.94-7.02] | 233.3 [9.19] | | | | | | | | | | | | | | | | | | |
| 190 | 176.4-178.1 [6.94-7.01] | 233.2 [9.18] | 190 | 180.5-182.3 [7.11-7.18] | 237.5 [9.35] | | | | | | | | | | | | | | | | | | |
| 240 | 187.1-188.8 [7.36-7.43] | 243.9 [9.60] | 240 | 191.2-193.0 [7.53-7.60] | 248.2 [9.77] | | | | | | | | | | | | | | | | | | |
| 301 | 199.9-201.6 [7.87-7.94] | 256.8 [10.11] | 301 | 204.0-205.9 [8.03-8.10] | 261.1 [10.28] | | | | | | | | | | | | | | | | | | |
| 342 | 208.7-210.4 [8.22-8.28] | 265.7 [10.46] | 342 | 212.8-214.6 [8.38-8.45] | 269.7 [10.62] | | | | | | | | | | | | | | | | | | |
| 381 | 217.0-218.7 [8.54-8.61] | 273.9 [10.78] | 381 | 221.1-222.9 [8.71-8.78] | 278.1 [10.95] | | | | | | | | | | | | | | | | | | |

| REV | DESCRIPTION | BY | CHK | DATE | ECN |
|-----|--|-----|-----|---------|---------|
| A | ENGINEERING RELEASE | AGJ | | 7-12-02 | 41743 |
| B | REVISED | AGJ | | 9-30-03 | 45313 |
| C | (7)ADDED MOUNTING TYPE B | SRK | | 7-01-04 | M62263 |
| D | REVISED TABULATION BLOCKS | AGJ | | 5-17-04 | 47918 |
| E | -1>(2)PORT OPTION WAS "L" -2>ADDED CASE FLOW OPTION "02" -3>UPDATED DISP VALUES AND MOUNTING TYPE IN THE TABLE | AMM | | 1-24-07 | 0002527 |
| F | REVISED | YIS | CSG | 1-18-12 | M84474 |



- NOTES
 1 PORTS - OPTION AA
 2 CASE FLOW - OPTION 02

REVIEWED FOR CLASSIFICATION PER ESP-042

DRAWING BASED ON ASME Y14.5M-1994

UNLESS OTHERWISE SPECIFIED ALL DIMENSIONS ARE IN INCHES MILLIMETERS

THE REPRODUCTION, DISTRIBUTION AND UTILIZATION OF THIS DOCUMENT AS WELL AS THE COMMUNICATION OF ITS CONTENTS TO OTHERS WITHOUT EXPLICIT AUTHORIZATION IS PROHIBITED. OPINIONS WILL BE HELD LIABLE FOR THE PAYMENT OF DAMAGES. ALL RIGHTS RESERVED IN THE EVENT OF THE GRANT OF A PATENT, UTILITY MODEL, OR DESIGN (PER ISO 1030)

TOLERANCES
 X ± —
 XX ± —
 XXX ± —
 < ± —

UNSPECIFIED DRAFT ANGLES ARE: 30° 45° 60° 90°

UNSPECIFIED DRAFT ANGLES ARE: THIRD ANGLE PROJECTION FIRST ANGLE PROJECTION

D SIZE

THESE DIMENSIONS ARE IN INCHES UNLESS OTHERWISE SPECIFIED

DATE: 7-12-02
 DRAWN BY: [Signature]
 CHECKED BY: [Signature]
 ENGR BY: [Signature]
 MATERIAL: [Blank]
 FINISH: [Blank]

MATERIAL/HEAT TREAT
 PORT INSTALLATION

TITLE: 4000 SERIES MOTOR PORT INSTALLATION

NUMBER: A-556-017

SCALE: 1/1 SHEET 1 OF 1

Danfoss