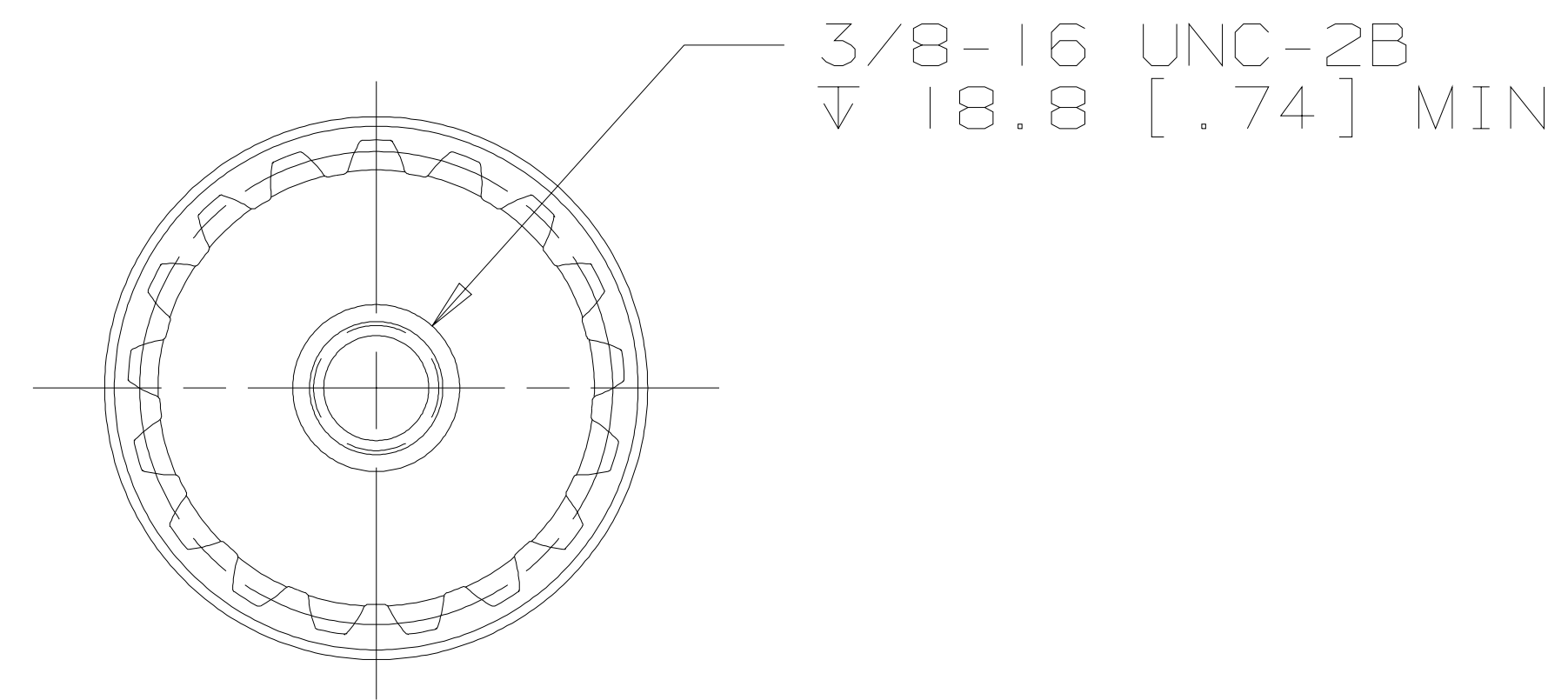
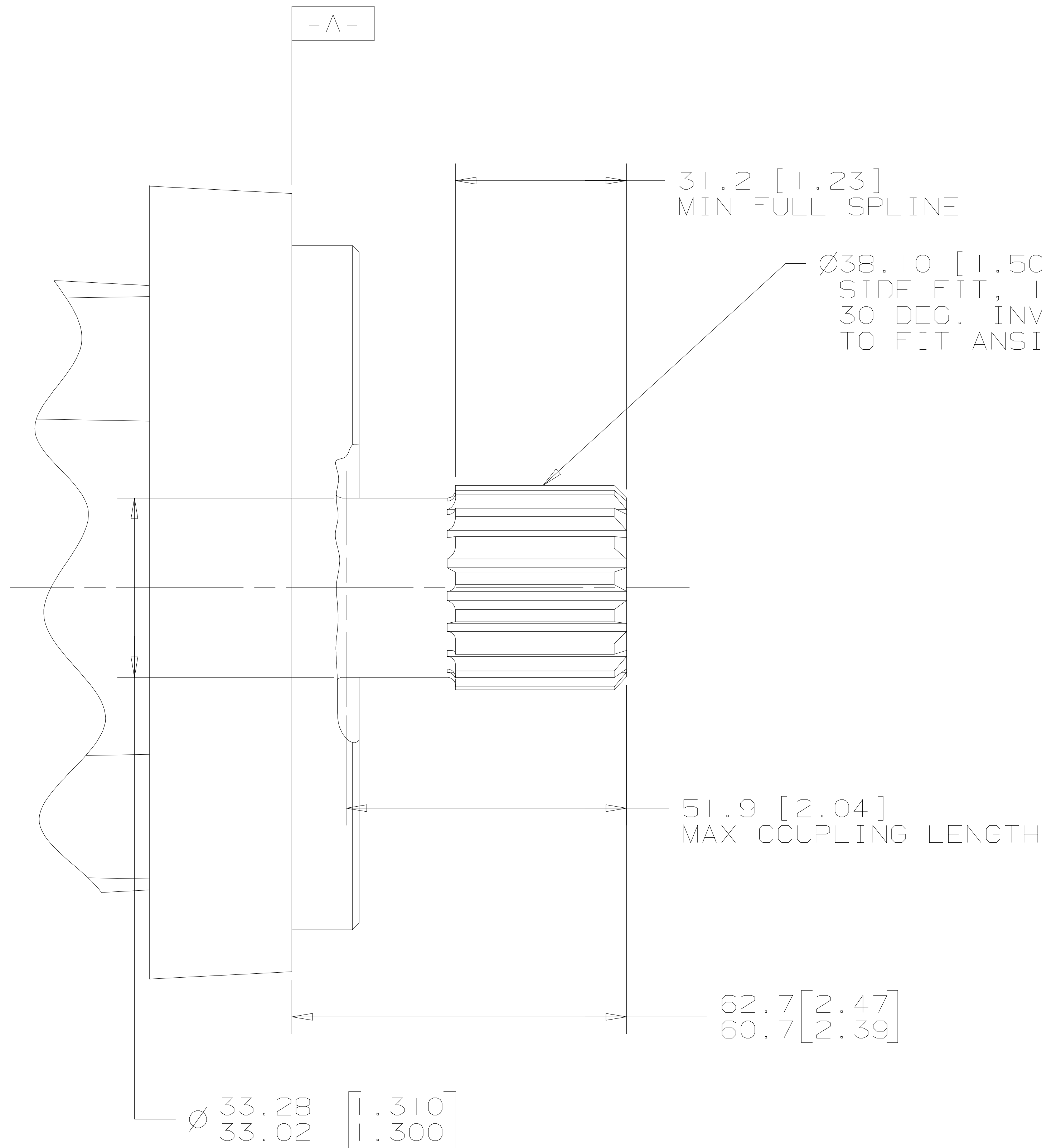


SYM	REVISION	BY	DATE	ECN
A	ENGINEERING RELEASE	SDR	2-8-92	21551
B	ADDED THREAD CALLOUT TO SHAFT END	RAF	4-16-96	28005
C	62.7/60.7 [2.47/2.39] WAS 62.5/61.5 [2.48/2.40]	AGJ	5-17-04	47918
C	-1) MOUNTING TYPE WAS "F" -2) OUTPUT SHAFT WAS "13"	SSD	1-24-07	0002527



NOTE

- 1 MOUNTING TYPE: OPTION AF
- 2 OUTPUT SHAFT: OPTION 10

UNLESS OTHERWISE SPECIFIED ALL DIMENSIONS ARE IN INCHES <input type="checkbox"/> MILLIMETERS [INCHES] <input checked="" type="checkbox"/>	DRAWING BASED ON ANSI Y14.5M-1982	
	THE REPRODUCTION, DISTRIBUTION, AND UTILIZATION OF THIS DOCUMENT, AS WELL AS THE COMMUNICATION OF ITS CONTENTS TO OTHERS WITHOUT EXPLICIT AUTHORIZATION IS PROHIBITED. OFFENDERS WILL BE HELD LIABLE FOR THE PAYMENT OF DAMAGES. ALL RIGHTS RESERVED IN THE EVENT OF THE GRANT OF A PATENT, UTILITY MODEL, OR DESIGN. (PER ISO 16016)	
TOLERANCES .X ± ---- .XX ± REF .XXX ± ONLY < ----	DRAWN BY/DATE SDR 4/9/92 CHECKED BY/DATE KJR 7-8-92 ENGRG BY/DATE RVA 7-31-92 METALLURGY BY/DATE	MATERIAL/HEAT TREAT TITLE 4000 SERIES MOTOR SHAFT INSTALLATION
UNSPECIFIED RADII ARE	<input checked="" type="checkbox"/> MICROINCHES <input type="checkbox"/> MICROMETERS [MICROINCHES]	NUMBER A-609-009
UNSPECIFIED DRAFT ANGLES ARE	 THIRD ANGLE PROJECTION	SCALE 1/1
DRAWING FORMAT CADD <input checked="" type="checkbox"/> MANUAL <input type="checkbox"/>	DO NOT SCALE	SHEET 1 OF 1

