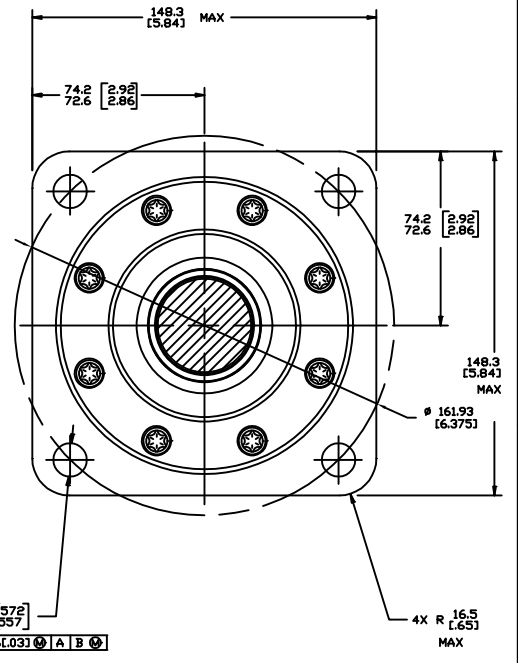
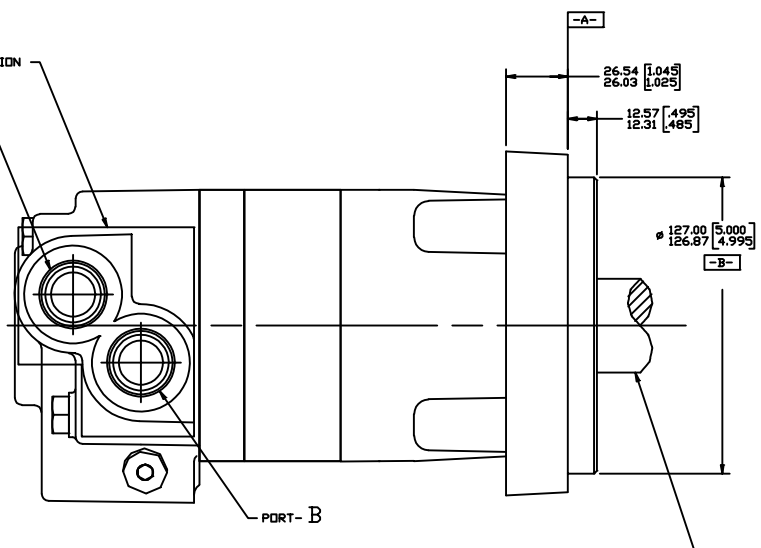
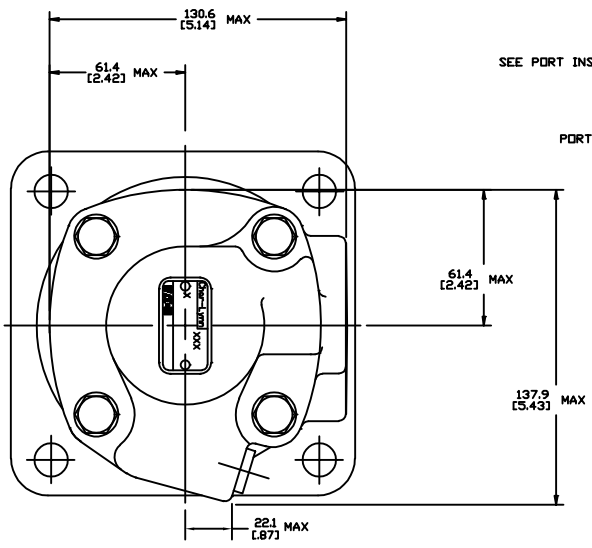


REV	DESCRIPTION	BY	CHK	DATE	ECN
A	ENGINEERING RELEASE	SDR		2-8-92	21551
J	REVISED	SSD		6-28-94	M79455



NOTE

1 ROTATION
STANDARD) WHEN FACING SHAFT END OF MOTOR, SHAFT TO ROTATE,
CLOCKWISE WHEN PORT "A" IS PRESSURIZED
COUNTERCLOCKWISE WHEN PORT "B" IS PRESSURIZED

REVERSE) WHEN FACING SHAFT END OF MOTOR, SHAFT TO ROTATE,
CLOCKWISE WHEN PORT "B" IS PRESSURIZED,
COUNTERCLOCKWISE WHEN PORT "A" IS PRESSURIZED

2 MOUNTING TYPE: AF
STANDARD, 4 BOLT, 127.00 [5.000] PILOT DIA.
14.27 [0.562] DIA. HOLES ON 161.92 [6.375]
DIA. BOLT CIRCLE. *SAE C*

REVIEWED FOR CLASSIFICATION PER ESP -042

UNLESS OTHERWISE SPECIFIED, ALL DIMENSIONS ARE IN INCHES	DRAWING BASED ON ANSI Y14.5M-1982	
INDEX <input type="checkbox"/>	DATE OF REVISION: 08-14-92	
TOLERANCES	NOTE TO PURCHASER: THIS DRAWING IS THE PROPERTY OF THE COMPANY AND IS NOT TO BE REPRODUCED OR COPIED IN ANY MANNER WITHOUT THE WRITTEN PERMISSION OF THE COMPANY.	
AS + REF	REVISED BY: SIR 3-14-92	INTERVIEW TIME
FOR + ONLY	REVISED BY: KR 8-4-92	
UNSPECIFIED DIMS ARE	REVISED BY: RA 8-4-92	TITLE: 4000 MOTOR INSTALLATION
UNSPECIFIED SHAFT HOLES ARE		NUMBER: A-602-000
3 SIZE	THIRD ANGLE PROJECTION	SCALE: 1/1
	DO NOT SCALE	SHEET 1 OF 1