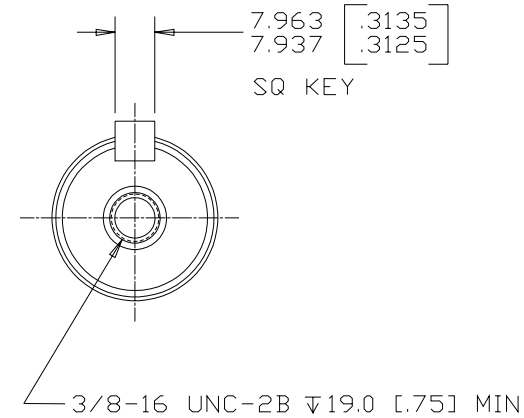
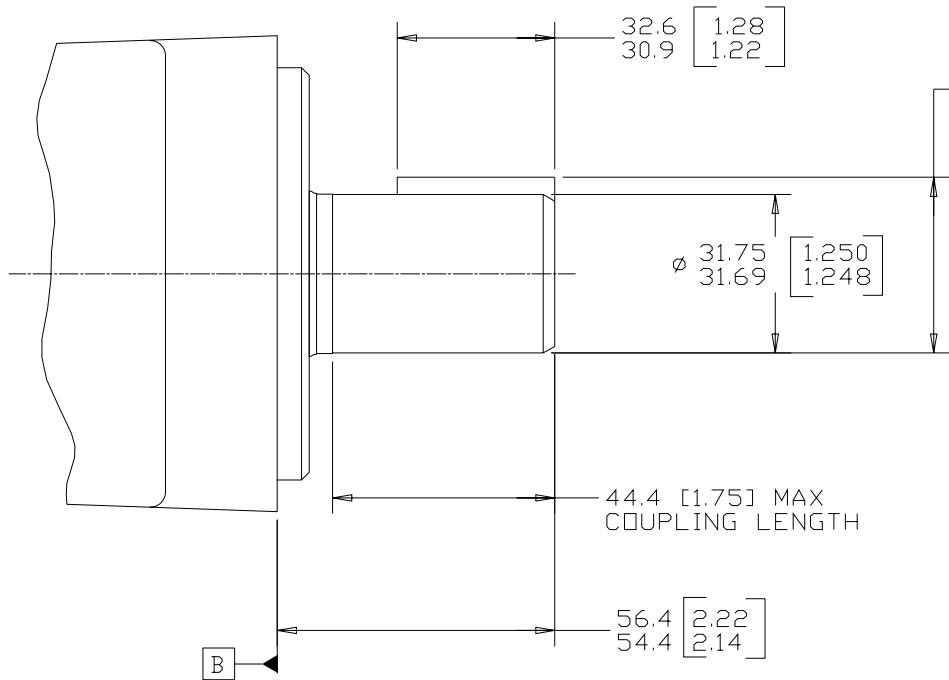


| REV | DESCRIPTION  | BY  | DATE     | ECN    |
|-----|--|-----|----------|--------|
| A   | ENGINEERING RELEASE  | AGJ | 4-7-93   | M8051  |
| B   | REVISED  | AGJ | 5-28-93  | 22833  |
| C   | -1) MOVED DATUM B<br>-2) 56.6/54.4 [2.23/2.14] WAS 50.3/48.0 [1.98/1.89]           | JMM | 9-7-94   | 25945  |
| D   | NOTE 1 WAS MOUNTING TYPE: OPTION C   | AGJ | 5-13-02  | 41044  |
| E   | 56.4/54.4 [2.22/2.14] WAS<br>56.6/54.4 [2.23/2.14]                                 | AGJ | 5-17-04  | 47918  |
| F   | NOTE 2 WAS OUTPUT SHAFT: OPTION 02 & 24  | PM  | 4-4-06   | 54522  |
| G   | -1) UPDATED TO ASME Y14.5-2009 STANDARD<br>-2) MAX COUPLING LENGTH WAS 47.3 [1.86] | NRI | 05-12-14 | M92814 |



**CS** REVIEWED FOR CLASSIFICATION PER ESP -042

**NOTE**

- 1 MOUNTING TYPE: OPTION AC, BA & BE
- 2 OUTPUT SHAFT: OPTION 02 & 17

|  |  |  |  |
|--|--|--|--|
| UNLESS OTHERWISE SPECIFIED ALL DIMENSIONS ARE IN<br>INCHES <input type="checkbox"/><br>MILLIMETERS <input checked="" type="checkbox"/> |  | DRAWING BASED ON ASME Y14.5-2009   |  |
| TOLERANCES<br>X ± ----<br>XX ± REF<br>XXX ± ONLY<br>∠ ± ----   |  | EATON CORPORATION - CONFIDENTIAL AND PROPRIETARY<br>NOTICE TO PERSONS RECEIVING THIS DRAWING AND / OR TECHNICAL INFORMATION<br>THIS DOCUMENT, INCLUDING THE DRAWING AND INFORMATION CONTAINED THEREON, IS CONFIDENTIAL AND IS THE EXCLUSIVE PROPERTY OF EATON CORPORATION, AND IS MERELY ON LOAN AND SUBJECT TO RECALL BY EATON AT ANY TIME. BY TAKING POSSESSION OF THIS DOCUMENT, THE RECIPIENT ACKNOWLEDGES AND AGREES THAT THIS DOCUMENT CANNOT BE USED IN ANY MANNER ADVERSE TO THE INTERESTS OF EATON, AND THAT NO PORTION OF THIS DOCUMENT MAY BE COPIED OR OTHERWISE REPRODUCED WITHOUT THE PRIOR WRITTEN CONSENT OF EATON. IN THE CASE OF CONFLICTING CONTRACTUAL PROVISIONS, THIS NOTICE SHALL GOVERN THE STATUS OF THIS DOCUMENT. COPYRIGHT 2008 EATON CORPORATION - ALL RIGHTS RESERVED. |  |
| UNSPECIFIED RADII ARE<br>----  |  | DRAWN BY/DATE<br>A. JOHNSON<br>3-16-93   | MATERIAL/HEAT TREAT  |
| UNSPECIFIED DRAFT ANGLES ARE<br>----   |  | CHECKED BY/DATE<br>S. RICHARDS<br>4-8-93   | EATON<br>Powering Business Worldwide<br>Eaton Hydraulics LLC<br>14615 Lone Oak Road<br>Eden Prairie, MN 55344<br>USA |
| B SIZE   |  | ENGRG BY/DATE<br>M. BERNSTROM<br>4-8-93  |  |
| MICROINCHES <input type="checkbox"/><br>MICROMETERS <input type="checkbox"/><br>(MICROINCHES)  |  | THIRD ANGLE PROJECTION   | NUMBER<br>A-683-002  |
| ARITHMETICAL AVERAGE <input checked="" type="checkbox"/>   |  | DO NOT SCALE   | SCALE 1/1 SHEET 1 OF 1   |