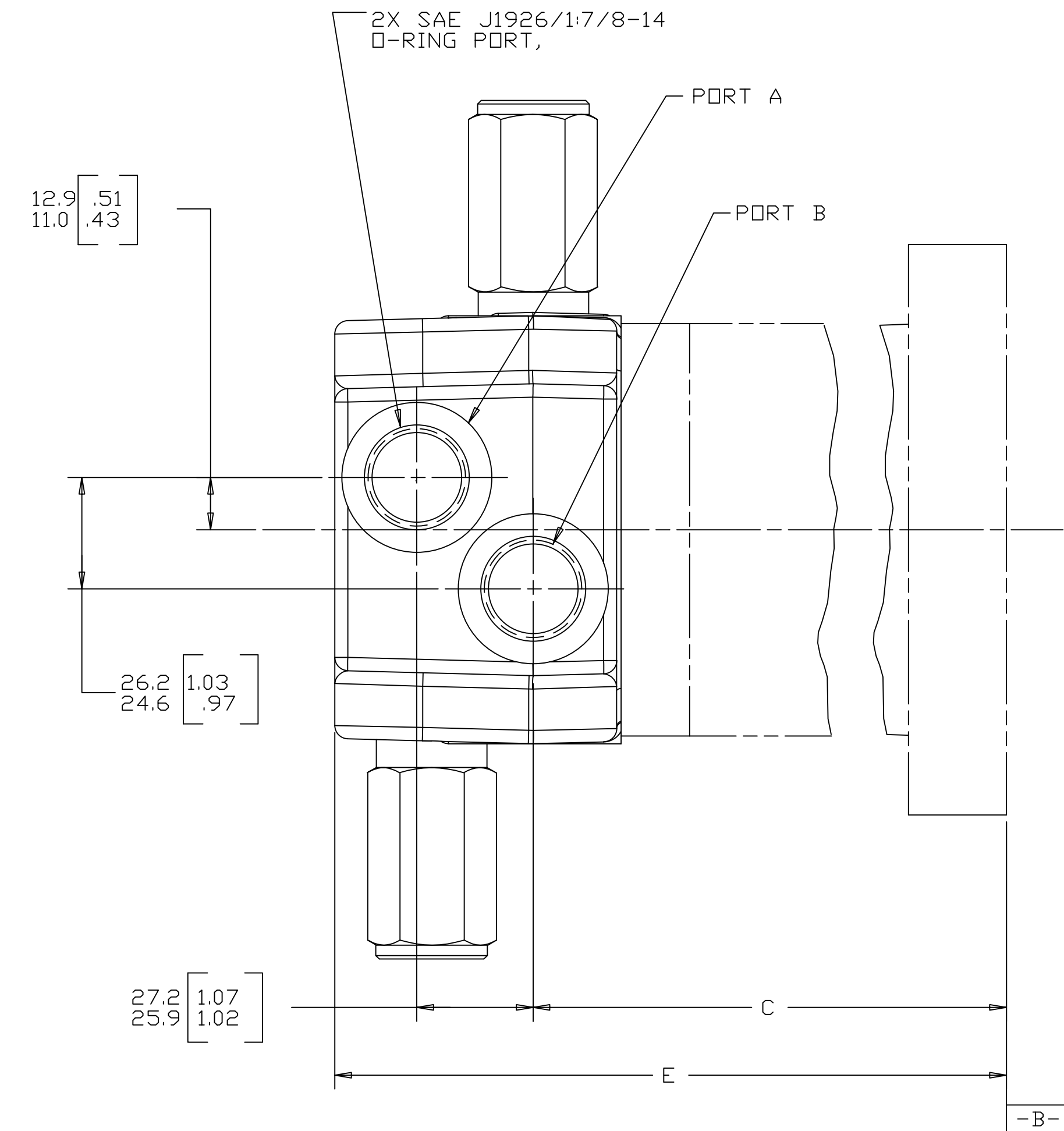
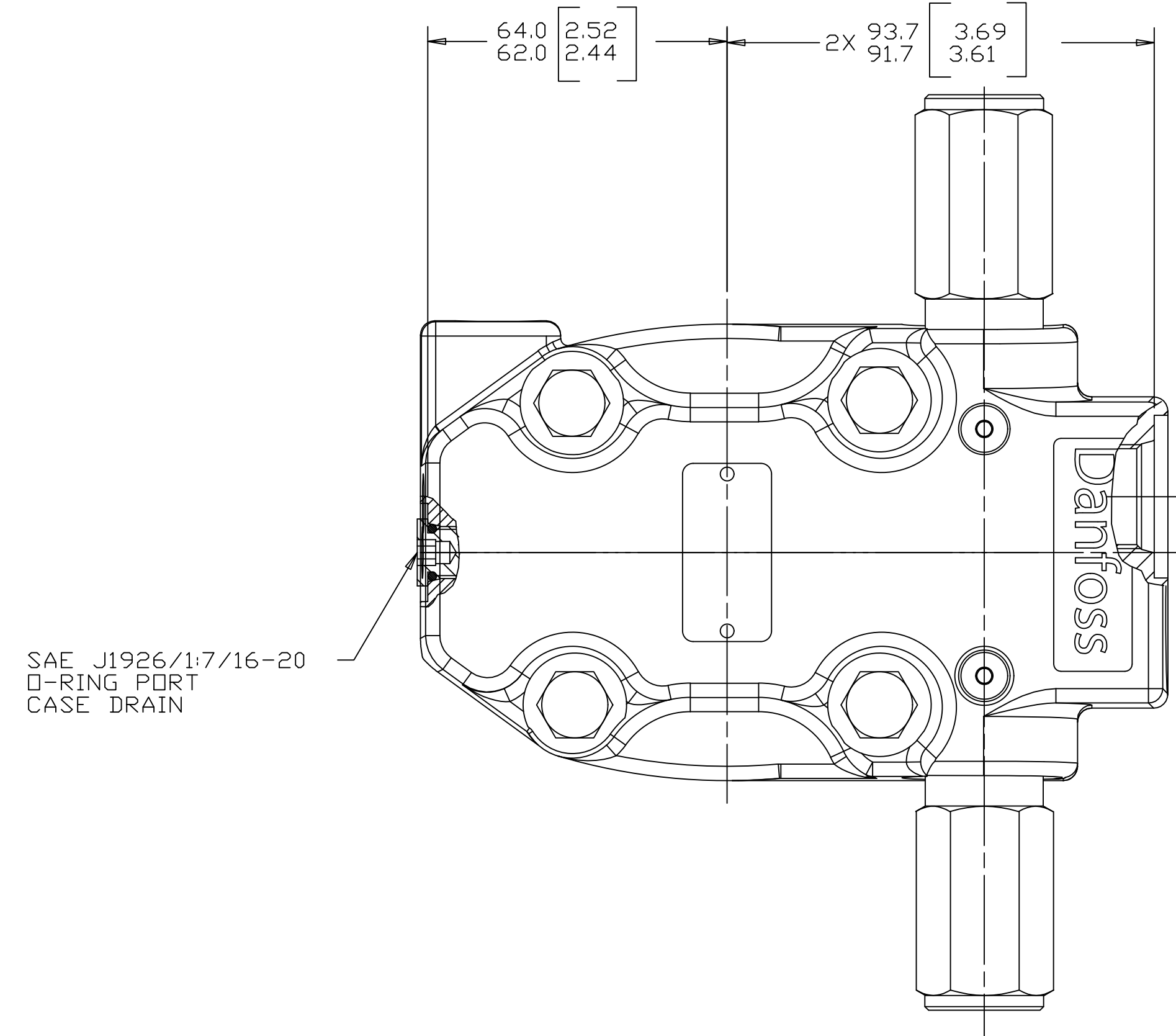
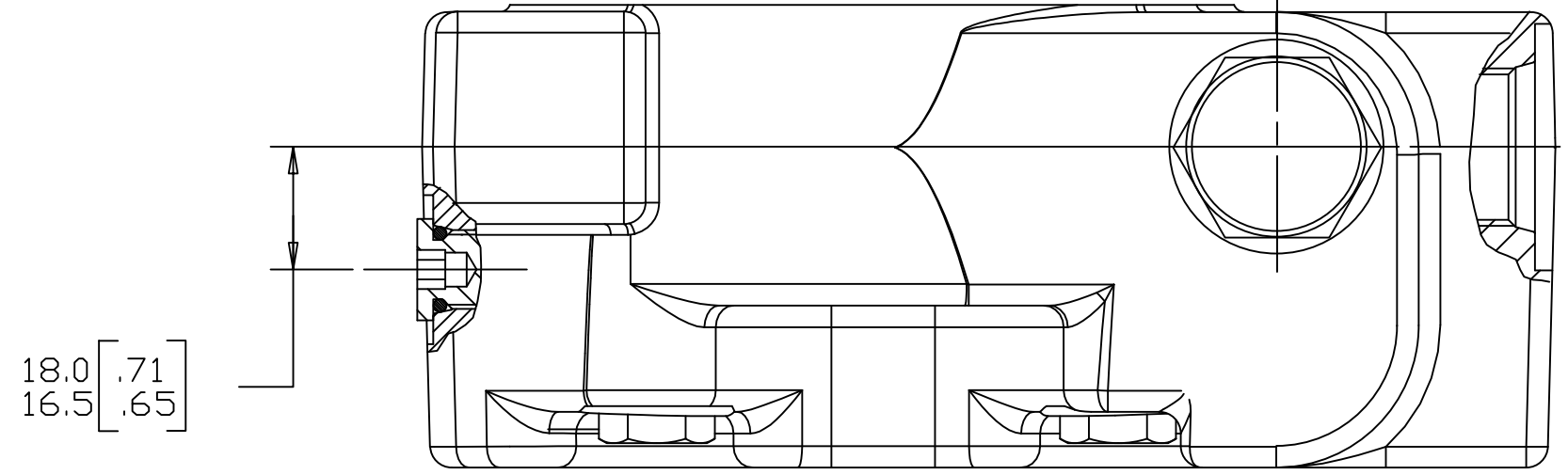


8			7			6			5			4		
MOUNTING TYPE AB,AM,AP,AR,AV,BB,BF,BG,BH			MOUNTING TYPE AC,AF,AH,AN,AS,AW,AU,AY,BA,BE,BD,BK			MOUNTING TYPE AD,AE,BJ			MOUNTING TYPE AJ & BC					
DISP	C	E MAX	DISP	C	E MAX	DISP	C	E MAX	DISP	C	E MAX			
021	85.8-87.3 (3.38-3.44)	133.8 (5.27)	021	125.9-127.4 (4.96-5.02)	173.9 (6.85)	021	67.5-69.7 (2.66-2.75)	116.2 (4.58)	021	129.4-131.5 (5.10-5.18)	178 (7.01)			
025	87.2-88.8 (3.44-3.50)	135.3 (5.33)	025	127.4-128.9 (5.02-5.08)	175.4 (6.91)	025	69-71.2 (2.72-2.81)	117.7 (4.64)	025	130.9-133 (5.16-5.24)	179.5 (7.07)			
040	92.9-94.5 (3.66-3.72)	140.9 (5.55)	040	133.1-134.6 (5.24-5.30)	181.1 (7.13)	040	74.7-76.9 (2.94-3.03)	123.4 (4.86)	040	136.6-138.7 (5.38-5.46)	185.1 (7.29)			
049	96.0-97.5 (3.78-3.84)	144.0 (5.67)	049	136.1-137.7 (5.36-5.42)	184.2 (7.25)	049	77.7-80.0 (3.06-3.15)	126.5 (4.98)	049	139.7-141.7 (5.50-5.58)	188.2 (7.41)			
055	98.3-99.8 (3.87-3.93)	146.3 (5.76)	055	138.5-140.0 (5.45-5.51)	186.5 (7.34)	055	80.0-82.3 (3.15-3.24)	128.8 (5.07)	055	142.0-144.0 (5.59-5.67)	190.5 (7.50)			
062	100.6-102.4 (3.96-4.03)	148.8 (5.86)	062	140.7-142.5 (5.54-5.61)	189.0 (7.44)	062	82.3-84.8 (3.24-3.34)	131.3 (5.17)	062	144.3-146.6 (5.68-5.77)	193.0 (7.60)			
080	107.2-108.7 (4.22-4.28)	155.2 (6.11)	080	147.3-148.8 (5.80-5.86)	195.3 (7.69)	080	88.9-91.2 (3.50-3.59)	137.7 (5.42)	080	150.9-152.9 (5.94-6.02)	199.4 (7.85)			
096	107.2-108.7 (4.22-4.28)	155.2 (6.11)	096	147.3-148.8 (5.80-5.86)	195.3 (7.69)	096	88.9-91.2 (3.50-3.59)	137.7 (5.42)	096	150.9-152.9 (5.94-6.02)	199.4 (7.85)			
119	114.0-115.3 (4.48-4.54)	161.8 (6.37)	119	154.2-155.4 (6.06-6.12)	201.9 (7.95)	119	95.5-97.8 (3.76-3.85)	144.3 (5.68)	119	157.5-159.5 (6.20-6.28)	206.0 (8.11)			
149	122.9-124.5 (4.84-4.90)	171.0 (6.73)	149	163.1-164.6 (6.42-6.48)	211.1 (8.31)	149	104.6-106.9 (4.12-4.21)	153.4 (6.04)	149	166.6-168.7 (6.56-6.64)	215.1 (8.47)			
187	134.4-135.6 (5.29-5.34)	182.1 (7.17)	187	174.5-175.8 (6.87-6.92)	222.2 (8.75)	187	116.1-118.1 (4.57-4.65)	164.6 (6.48)	187	178.1-179.8 (7.01-7.08)	226.3 (8.91)			
240	150.1-151.9 (5.91-5.98)	198.4 (7.81)	240	190.2-192.0 (7.49-7.56)	238.5 (9.39)	240	131.8-134.4 (5.19-5.29)	180.8 (7.12)	240	193.8-196.1 (7.63-7.72)	242.6 (9.55)			
298	167.6-169.2 (6.60-6.66)	215.7 (8.49)	298	207.8-209.3 (8.18-8.24)	255.8 (10.07)	298	149.4-151.6 (5.88-5.97)	198.1 (7.80)	298	211.3-213.4 (8.32-8.40)	259.8 (10.23)			

REV	DESCRIPTION	BY	CHK	DATE	ECN
A	ENGINEERING RELEASE	AGJ		11-14-03	M60377
B	REVISED PICTORIALY	AGJ		12/09/03	M60463
C	REVISED TABULATION BLOCKS	AGJ		5-17-04	47918
D	ADDED MOUNTING TYPE BK TO TABULATION	AGJ		8-17-04	M62183
E	REVISED DISPLACEMENT FOR TABULATION BLOCKS	RG		6-26-06	56090
F	REVISED	HRK	SKS	9-16-09	19302
G	ADDED DISP 021, 025 AND 040	VVH	SJT	8-06-20	PAIHXN2SW



NOTE
 1 PORT OPTION AA OR AP
 2 CASE FLOW OPTION: 01, 04 OR 13

REVIEWED FOR CLASSIFICATION PER ESP-042

UNLESS OTHERWISE SPECIFIED ALL DIMENSIONS ARE IN INCHES <input type="checkbox"/> MILLIMETERS <input checked="" type="checkbox"/>	DRAWING BASED ON ANSI Y14.5M-1982	
TOLERANCES	THE REPRODUCTION, DISTRIBUTION AND UTILIZATION OF THIS DOCUMENT AS WELL AS THE COMMUNICATION OF ITS CONTENTS TO OTHER WITHOUT EXPLICIT AUTHORIZATION IS PROHIBITED. OFFENDERS WILL BE HELD LIABLE FOR THE PAYMENT OF DAMAGES. ALL RIGHT RESERVED IN THE EVENT OF THE GRANT OF A PATENT, UTILITY MODEL OR DESIGN. (PER ISO 16016)	
x ± ----	DRAWN BY/DATE AGJ 11-24-03	MATERIAL/HEAT TREAT
.xx ± REF	CHECKED BY/DATE SMM 11-25-03	TITLE
.xxx ± ONLY	UNSPECIFIED RADI ARE	2000 SERIES MOTOR PORT INSTALLATION
< ± ----	UNSPECIFIED DRAFT ANGLES ARE	NUMBER
	THIRD ANGLE PROJECTION	A-673-042
D SIZE	DO NOT SCALE	SCALE 1/1 SHEET 1 OF 1