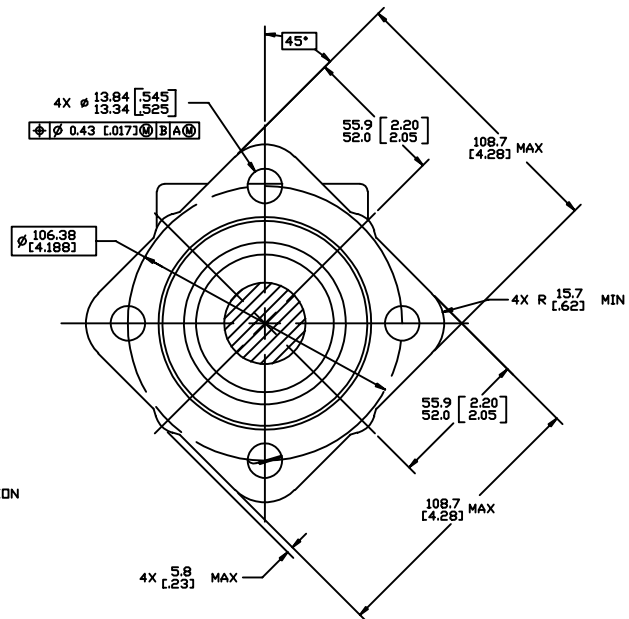
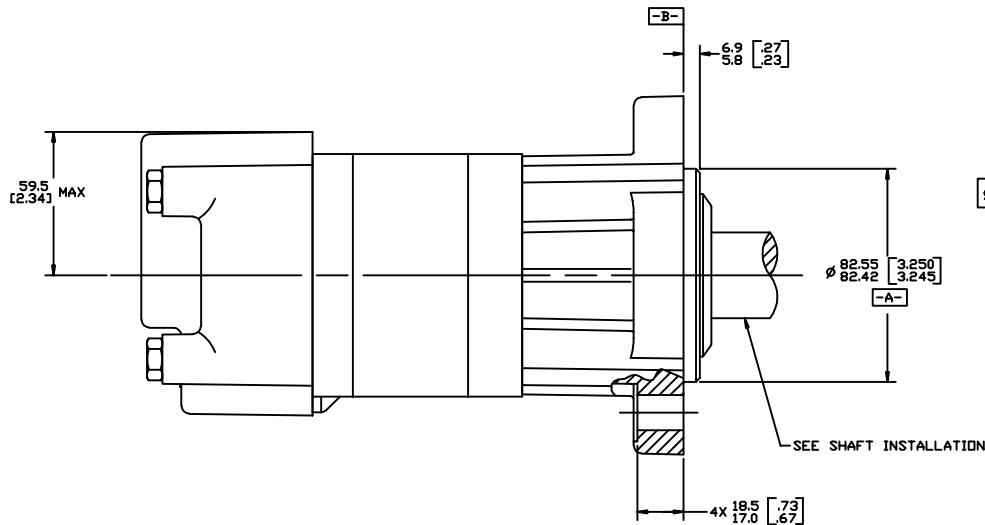
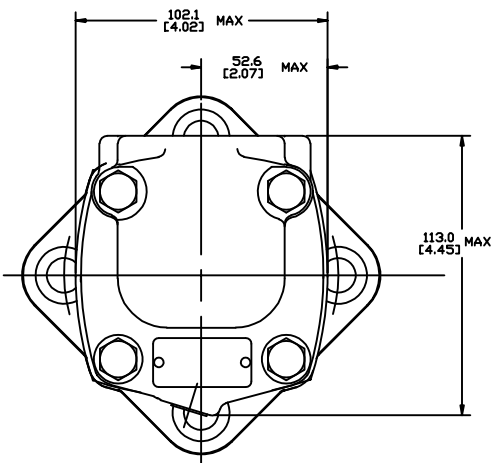
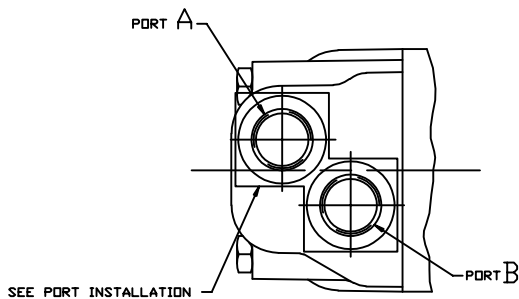


REV	DESCRIPTION	BY	CHK	DATE	ECN
A	ENGINEERING RELEASE	JMM	RAF	1-4-95	M12827
E	REVISED	CSG	SSD	03/19/10	M78673



NOTE

1 ROTATION:
 STANDARD: WHEN FACING SHAFT END OF MOTOR, SHAFT TO ROTATE;
 CLOCKWISE WHEN PORT "A" IS PRESSURIZED
 COUNTERCLOCKWISE WHEN PORT "B" IS PRESSURIZED
 REVERSE: WHEN FACING SHAFT END OF MOTOR, SHAFT TO ROTATE;
 CLOCKWISE WHEN PORT "B" IS PRESSURIZED
 COUNTERCLOCKWISE WHEN PORT "A" IS PRESSURIZED

2 MOUNTING TYPE: AH
 STANDARD, 4 BOLT: ϕ 82.6 [3.25] PILOT
 ϕ 13.59 [0.535] HOLES ON ϕ 106.4 [4.19] BOLT CIRCLE

REVIEWED FOR CLASSIFICATION PER ESP-042

UNLESS OTHERWISE SPECIFIED, ALL DIMENSIONS ARE IN INCHES		DRAWING BASED ON ANSI Y14.5M-1982	
TOLERANCES UNLESS OTHERWISE SPECIFIED ARE:			
<input type="checkbox"/> FRACTIONAL <input checked="" type="checkbox"/> DECIMAL <input type="checkbox"/> ANGLES	THE REPRODUCTION, DISTRIBUTION, AND UTILIZATION OF THIS DOCUMENT, AS WELL AS THE COMMUNICATION OF ITS CONTENTS TO OTHERS WITHOUT EXPLICIT AUTHORIZATION IS PROHIBITED. OFFENDERS WILL BE HELD LIABLE FOR THE PAYMENT OF DAMAGES. ALL RIGHTS RESERVED IN THE EVENT OF THE GRANT OF A PATENT, UTILITY MODEL, OR DESIGN. (PER ISO 10110)	MATERIAL HEAT TREAT JMM 1-4-95 RAF 3-27-95 HB 3-29-95	
UNDESIGNED HOLES ARE <input type="checkbox"/> UNDESIGNED HOLES ARE UNDESIGNED HOLES ARE UNDESIGNED HOLES ARE UNDESIGNED HOLES ARE	UNDESIGNED HOLES ARE <input type="checkbox"/> UNDESIGNED HOLES ARE UNDESIGNED HOLES ARE UNDESIGNED HOLES ARE UNDESIGNED HOLES ARE	TITLE 2000 SERIES MOTOR INSTALL NUMBER A-669-010	
DRAWING FORMAT (SEE DRAWING)	THIRD ANGLE PROJECTION <input checked="" type="checkbox"/> THIRD ANGLE PROJECTION DO NOT SCALE	SCALE 1/1 SHEET 1 OF 1	