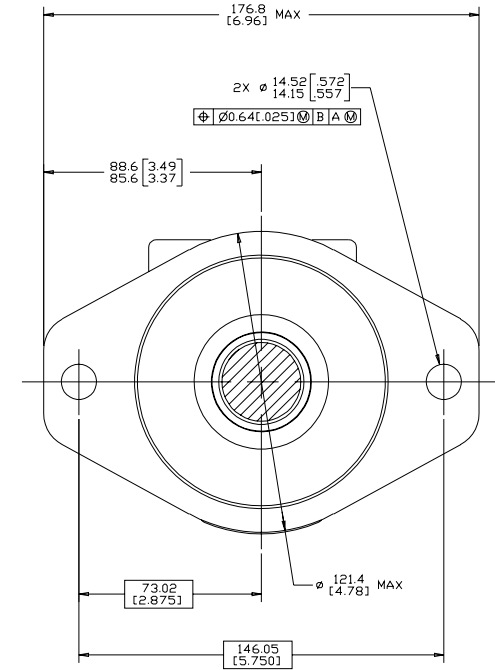
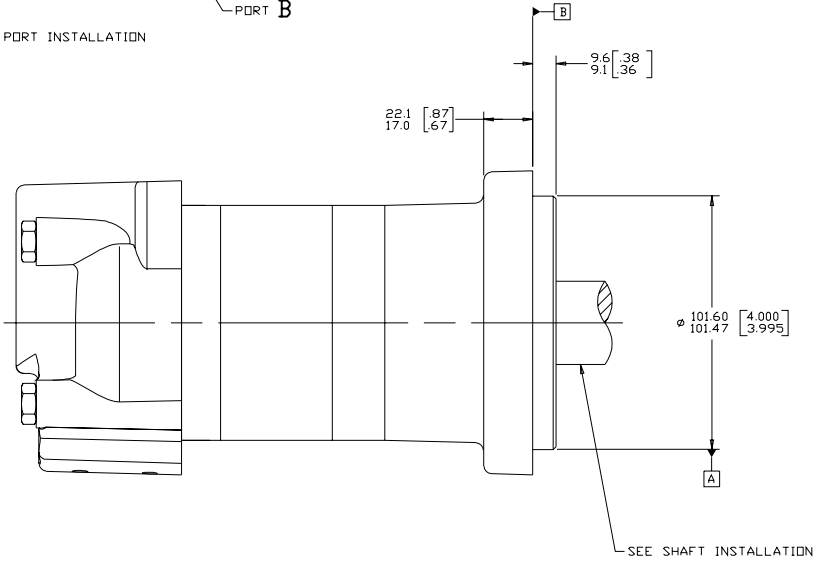
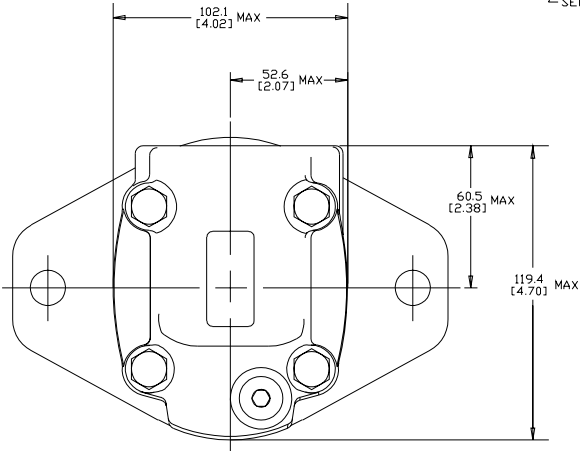
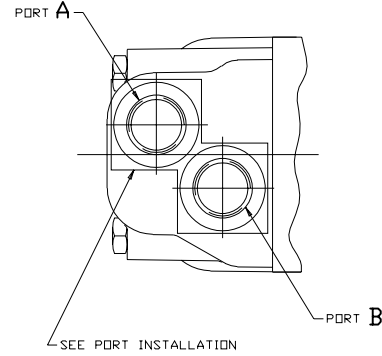


REV	DESCRIPTION	BY	CHK	DATE	ECN
A	ENGINEERING RELEASE	AGJ		10-9-01	M26425
B	(SA)NOTE 2 WAS MOUNTING TYPE: F	AGJ		5-13-02	41044
C	REVISED DIMENSIONS FOR STACK-UP	SMT		05-17-12	M85678



NOTE

1 ROTATION:
 STANDARD: WHEN FACING SHAFT END OF MOTOR, SHAFT TO ROTATE;
 CLOCKWISE WHEN PORT "A" IS PRESSURIZED
 COUNTERCLOCKWISE WHEN PORT "B" IS PRESSURIZED

REVERSE: WHEN FACING SHAFT END OF MOTOR, SHAFT TO ROTATE;
 CLOCKWISE WHEN PORT "B" IS PRESSURIZED
 COUNTERCLOCKWISE WHEN PORT "A" IS PRESSURIZED

2 MOUNTING TYPE: AF
 STANDARD, 2 BOLT: ϕ 101.6 [4.00] PILOT
 ϕ 14.35 [0.565] HOLES ON ϕ 146.0 [5.75]
 BOLT CIRCLE "SAE B"

REVIEWED FOR CLASSIFICATION PER ESP-042

DRAWING BASED ON ANSI Y14.5M-1994

UNLESS OTHERWISE SPECIFIED ALL DIMENSIONS ARE IN INCHES <input type="checkbox"/> MILLIMETERS <input checked="" type="checkbox"/>	THE REPRODUCTION, DISTRIBUTION AND UTILIZATION OF THIS DOCUMENT AS WELL AS THE COMBINATION OF ITS CONTENTS TO OTHERS WITHOUT EXPLOIT AUTHORIZATION IS PROHIBITED. OFFENDERS WILL BE HELD LIABLE FOR THE PAYMENT OF DAMAGES. ALL RIGHTS RESERVED IN THE EVENT OF THE GRANT OF A PATENT, UTILITY MODEL, OR DESIGN. (PERIOD 10/09)	
TOLERANCES		MATERIAL/HEAT TREAT
X ±	BRAUN	
XX ±	BY/DATE	
XXX ±	CHECKED	
UNSPECIFIED	BY/DATE	
RADI	BY/DATE	
UNSPECIFIED DRAFT ANGLES ARE:	THIRD ANGLE PROJECTION	
D SIZE	DO NOT SCALE	

TITLE: 2000 SERIES MOTOR INSTALLATION

NUMBER: A-667-015

SCALE: 1/1 SHEET 1 OF 1