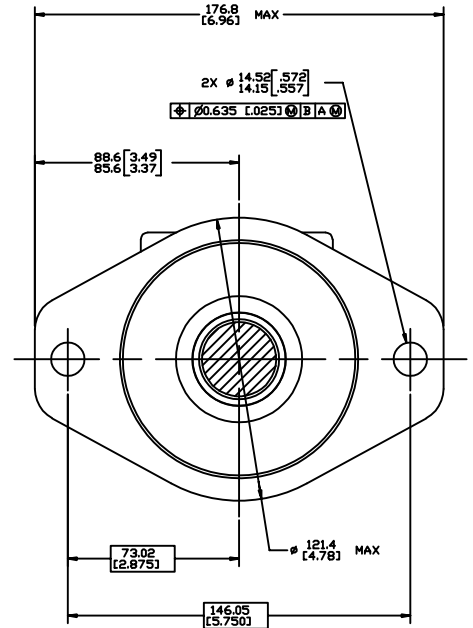
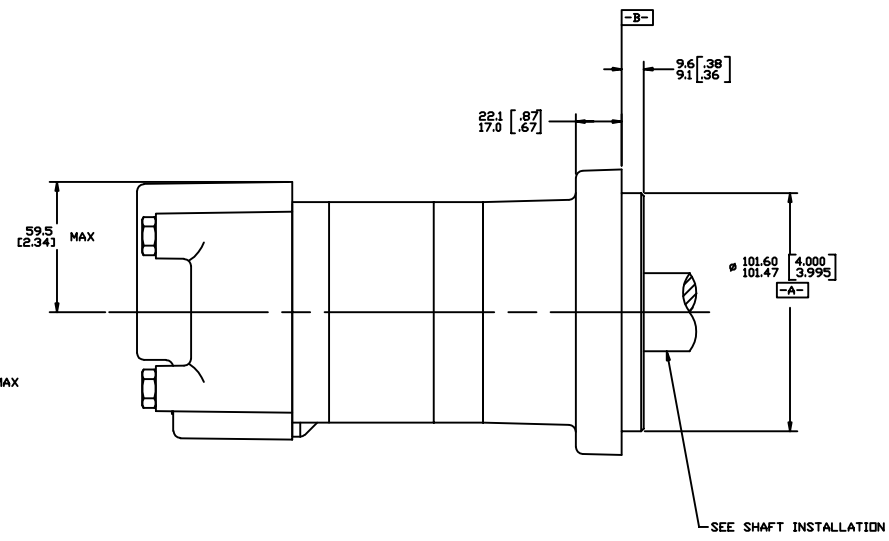
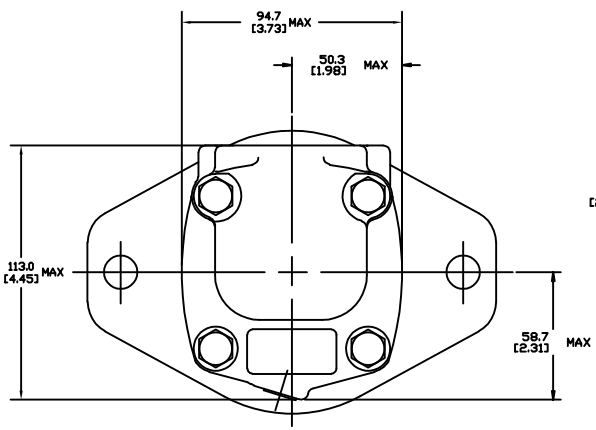
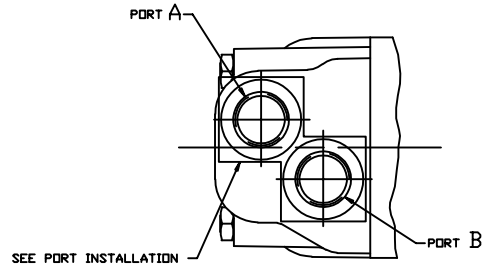


SYM	REVISION	BY	DATE	ECN
A	ENGINEERING RELEASE	AGJ	5-26-93	22833
B	(4A)NOTE 2 WAS MOUNTING TYPE F	AGJ	5/13/92	41044
C	-1X(7C)50.3(1.98) WAS 48.6(1.91) -2X(6B)58.7(2.31) WAS 56.9(2.24) -3X(7B)REMOVED 7.6(30) MAX -4X(8B)ADDED 113.0 [4.45] MAX -5X(7C)ADDED 94.7 [3.73] MAX -6X(6B)59.5(2.34) WAS 57.7(2.27)	AAB	3-17-91	M81589



NOTE

1 ROTATION:
 STANDARD: WHEN FACING SHAFT END OF MOTOR, SHAFT TO ROTATE;
 CLOCKWISE WHEN PORT "A" IS PRESSURIZED
 COUNTERCLOCKWISE WHEN PORT "B" IS PRESSURIZED
 REVERSE: WHEN FACING SHAFT END OF MOTOR, SHAFT TO ROTATE;
 CLOCKWISE WHEN PORT "B" IS PRESSURIZED
 COUNTERCLOCKWISE WHEN PORT "A" IS PRESSURIZED

2 MOUNTING TYPE: AF
 STANDARD 2 BOLT, Ø 101.6 [4.00] PILOT
 Ø 14.35 [0.565] HOLES ON Ø 146.0 [5.75]
 BOLT CIRCLE "SAE B"

REVIEWED FOR CLASSIFICATION PER ESP-042

DRAWING BASED ON ANSI Y14.5M-1982

UNLESS OTHERWISE SPECIFIED, DIMENSIONS ARE IN: <input type="checkbox"/> INCHES <input type="checkbox"/> MILLIMETERS	THE DESIGN, DISTRIBUTION AND UTILIZATION OF THIS DOCUMENT, AS WELL AS THE COMMUNICATION OF ITS CONTENTS TO OTHERS WITHOUT EXPLICIT AUTHORIZATION BY PERMITTED OFFICERS WILL BE HELD LIABLE FOR THE PAYMENT OF DAMAGES. ALL RIGHTS RESERVED IN THE EVENT OF THE GRANT OF A PATENT, UTILITY MODEL, OR DESIGN. (REV 03/1999)	
TOLERANCES	DESIGNED BY: W. A. JOHNSON DATE: 5-22-93 DRAWN BY: W. A. JOHNSON DATE: 6-24-93 CHECKED BY: W. A. JOHNSON DATE: 6-29-93	NATIONAL HEAT TREAT DATE: 6-24-93 TITLE: 2000 SERIES MOTOR INSTALL
UNSPECIFIED HOLE ARE: <input type="checkbox"/> RECESSED <input type="checkbox"/> TAPERED	UNDESIGNED DIMENSIONS ARE: <input type="checkbox"/> TO DIMENSIONS <input type="checkbox"/> TO DIMENSIONS	NUMBER: A-667-001 SCALE: 1/1 SHEET 1 OF 1
UNSPECIFIED SHARP ANGLES ARE: <input type="checkbox"/> ROUNDED <input type="checkbox"/> CHAMFERED	THIS ANGLE PROJECTION METHOD: <input type="checkbox"/> FIRST ANGLE <input checked="" type="checkbox"/> THIRD ANGLE	
D SIZE	DO NOT SCALE	

Danfoss