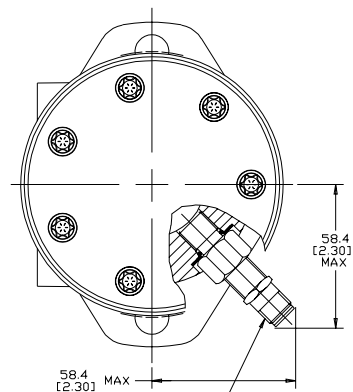
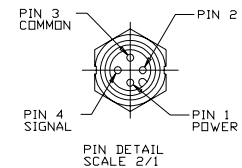
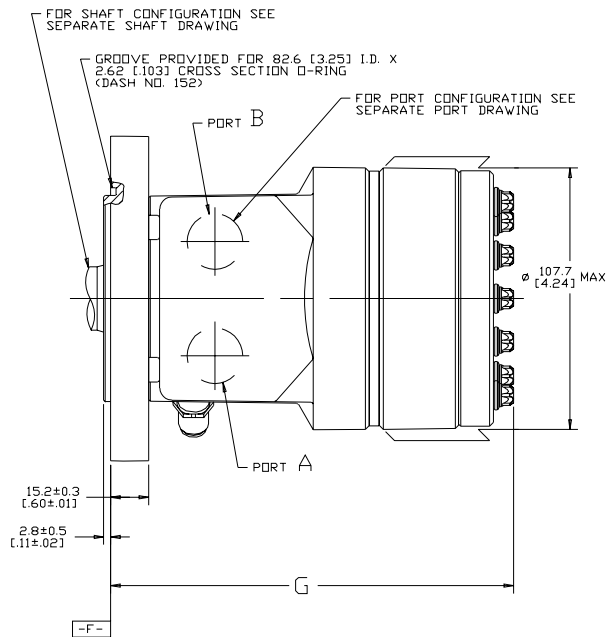
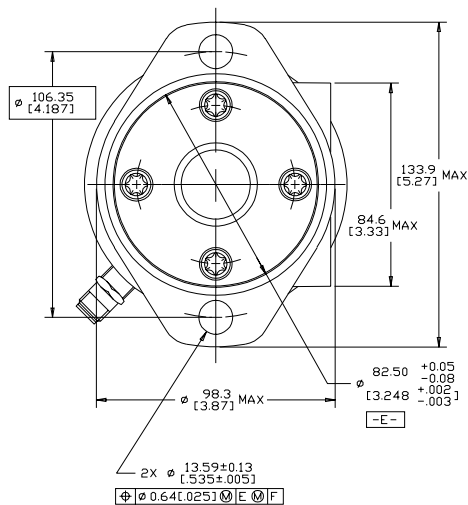


| DISP. CODE | G     | MAX    |
|------------|-------|--------|
| 036        | 138.0 | [5.43] |
| 046        | 140.3 | [5.52] |
| 057        | 142.5 | [5.61] |
| 073        | 146.0 | [5.75] |
| 088        | 149.1 | [5.87] |
| 101        | 151.8 | [5.98] |
| 114        | 154.5 | [6.08] |
| 137        | 159.4 | [6.28] |
| 182        | 169.0 | [6.66] |
| 227        | 178.4 | [7.02] |

| REV | DESCRIPTION  | BY  | CHK | DATE     | ECN     |
|-----|--|-----|-----|----------|---------|
| A   | ENGINEERING RELEASE  | SMM |     | 06-09-04 | 48257   |
| B   | -1(X6C) WAS 131.4X[5.17] MAX<br>-2(X7B) WAS Ø96.8X[3.81] MAX                                 | SRM |     | 04-07-04 | ECR8166 |
| C   | -1) (8A) NOTE 2 WAS MOUNTING FLANGE : *A,S I-.....*<br>-2) (8A) NOTE 3 WAS CASE DRAIN : 0... | TTV | CSG | 04-08-16 | 0070053 |



MATES WITH DC MICRO CONNECTORS OR EQUIVALENT:

- TURCK EUROFAST WKCV 4T CABLE
- BRAD HARRISON MICRO-CHANGE SINGLE KEYWAY PLUGS
- LUMBERG "MICRO" STYLE 12mm DC CONNECTOR

NOTE

- ROTATION: STANDARD: WHEN FACING SHAFT END OF MOTOR, SHAFT TO ROTATE CLOCKWISE WHEN PORT "A" IS PRESSURIZED COUNTERCLOCKWISE WHEN PORT "B" IS PRESSURIZED  
REVERSE: WHEN FACING SHAFT END OF MOTOR, SHAFT TO ROTATE CLOCKWISE WHEN PORT "B" IS PRESSURIZED COUNTERCLOCKWISE WHEN PORT "A" IS PRESSURIZED
- MOUNTING FLANGE: AA,AD,AN = 2 BOLT STD. Ø82.6 [3.25] X 3.0 [1.2] PILOT Ø13.59 [0.55] MOUNTING HOLES ON Ø106.2 [4.18] B.C.
- CASE DRAIN: 00 = NO CASE DRAIN
- SENSOR OUTPUT WILL BE 15 ELECTRICAL PULSES PER SHAFT REVOLUTION.  
SUPPLY VOLTAGE: 8 TO 28 Vdc  
OUTPUT VOLTAGE: LOW .5 Vdc AT 10 mA; HIGH Vs-1 Vdc

REVIEWED FOR CLASSIFICATION PER ESP-042

| UNLESS OTHERWISE SPECIFIED, DIMENSIONS ARE IN:  |   | DRAWING BASED ON ANSI Y14.5M-1982  |  |
|---|---|--|--|
| INCHES <input type="checkbox"/>   | MILLIMETERS <input checked="" type="checkbox"/> | THE REPRODUCTION, DISTRIBUTION AND UTILIZATION OF THIS DOCUMENT AS WELL AS THE COMBINATION OF ITS CONTENTS TO OTHERS WITHOUT EXPlicit AUTHORIZATION IS PROHIBITED. OFFENDERS WILL BE HELD LIABLE FOR THE PAYMENT OF DAMAGES. ALL RIGHTS RESERVED IN THE EVENT OF THE GRANT OF A PATENT, UTILITY MODEL, OR DESIGN (PER ISO 10196) |  |
| TOLERANCES  |   |  |  |
| X .----   |   |  |  |
| XX .----  |   | MATERIAL/HEAT TREAT  |  |
| XXX .----   |   | DATE 07-06-04  |  |
| ∠ .----   |   | BY DATE 07-06-04   |  |
| UNSPECIFIED RADI ARE  |   | TITLE  |  |
| ---   |   | S MOTOR INSTALLATION   |  |
| UNSPECIFIED DRAFT ANGLES ARE  |   | NUMBER   |  |
| ---   |   | A-1910-001   |  |
| DRAWING FORMAT CASE <input checked="" type="checkbox"/> MANUAL <input type="checkbox"/> |   | SCALE 1/1 SHEET 1 OF 1   |  |