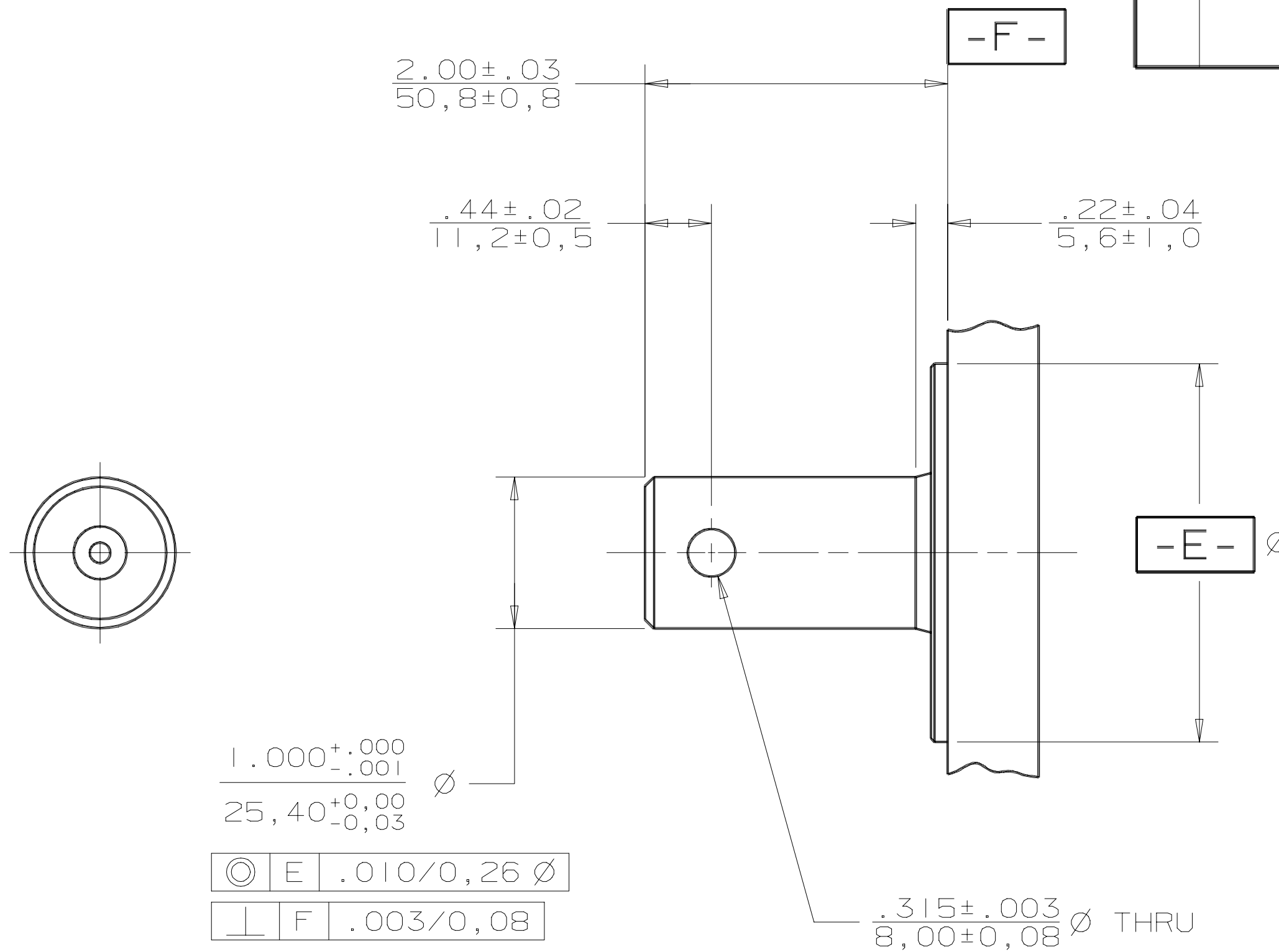


SYM	REVISION	BY	DATE	ECN
A	ENGINEERING RELEASE	RLL	11-10-87	14736
B	REVISED NOTE 1 AND ADDED OPTION 64	RAF	3-6-96	M15052



$\frac{1.000^{+.000}}{25,40^{+0,00}}$ \varnothing
 $\frac{.010}{0,26} \varnothing$
 $\frac{.003}{0,08}$

MODEL NO.
MOXXXX07XXXXXXXX

SMG²

NOTE
1 OUTPUT SHAFT: OPTION 07 & 64

THE REPRODUCTION, DISTRIBUTION, AND UTILIZATION OF THIS DOCUMENT, AS WELL AS THE COMMUNICATION OF ITS CONTENTS TO OTHERS WITHOUT EXPLICIT AUTHORIZATION IS PROHIBITED. OFFENDERS WILL BE HELD LIABLE FOR THE PAYMENT OF DAMAGES. ALL RIGHTS RESERVED IN THE EVENT OF THE GRANT OF A PATENT, UTILITY MODEL, OR DESIGN. (PER ISO 16016)

Danfoss

DRAWN BY/DATE RLL 10-28-87	MATERIAL/HEAT TREAT
CHECKED BY/DATE KQ 1-13-88	
ENGRG BY/DATE WCW 1-19-88	TITLE SHAFT INSTALLATION
DO NOT SCALE	
THIRD ANGLE PROJECTION	LINEAR MEASUREMENT IN/MM IN/MM
NUMBER A-109-007	
SCALE FULL SIZE SHEET 1 OF 1	