

DISPLACEMENT CODE	G MAX	DISPLACEMENT CODE	G MAX
022	132.7 [5.22]	141	158.1 [6.22]
025	133.5 [5.26]	179	166.7 [6.56]
028	132.7 [5.22]	226	177.1 [6.97]
035	136.5 [5.37]	451	228.0 [8.98]
045	136.5 [5.37]		
059	139.5 [5.49]		
073	142.8 [5.62]		
089	146.4 [5.76]		
097	148.2 [5.84]		
113	151.7 [5.97]		

REV	DESCRIPTION	BY	CHK	DATE	ECN
A	RELEASE FOR SAMPLES AND ESTIMATE	RAF		5-8-98	M19274A
B	-1>-2>(1B) 62.0[2.44]MAX WAS 58.4[2.30]MAX	MGF		8-9-99	X10921
C	ENGINEERING RELEASE	RAF		10-20-99	M22292
D	-1>(4C) WAS 83.4/[3.28] MAX -2>(4B) WAS 83.4/[3.28] MAX	SJP		04-07-04	46856
E	-1>REVISED PICTORIALLY -2>(4D) UPDATED TABULATION FOR G MAX -3>REVISED NOTE AS PER ESP-022-69	AAB		02-17-14	0054755
F	(1C) ADDED DANFOSS LOGO TO END CAP	AAB		01-22-15	0061684
G	(4A) NOTE 3 WAS CASE DRAIN: 0 = NO ...	YUP		07-27-15	0065202
H	(1C) REMOVED DANFOSS LOGO	SSD		04-23-21	0131343

D

D

C

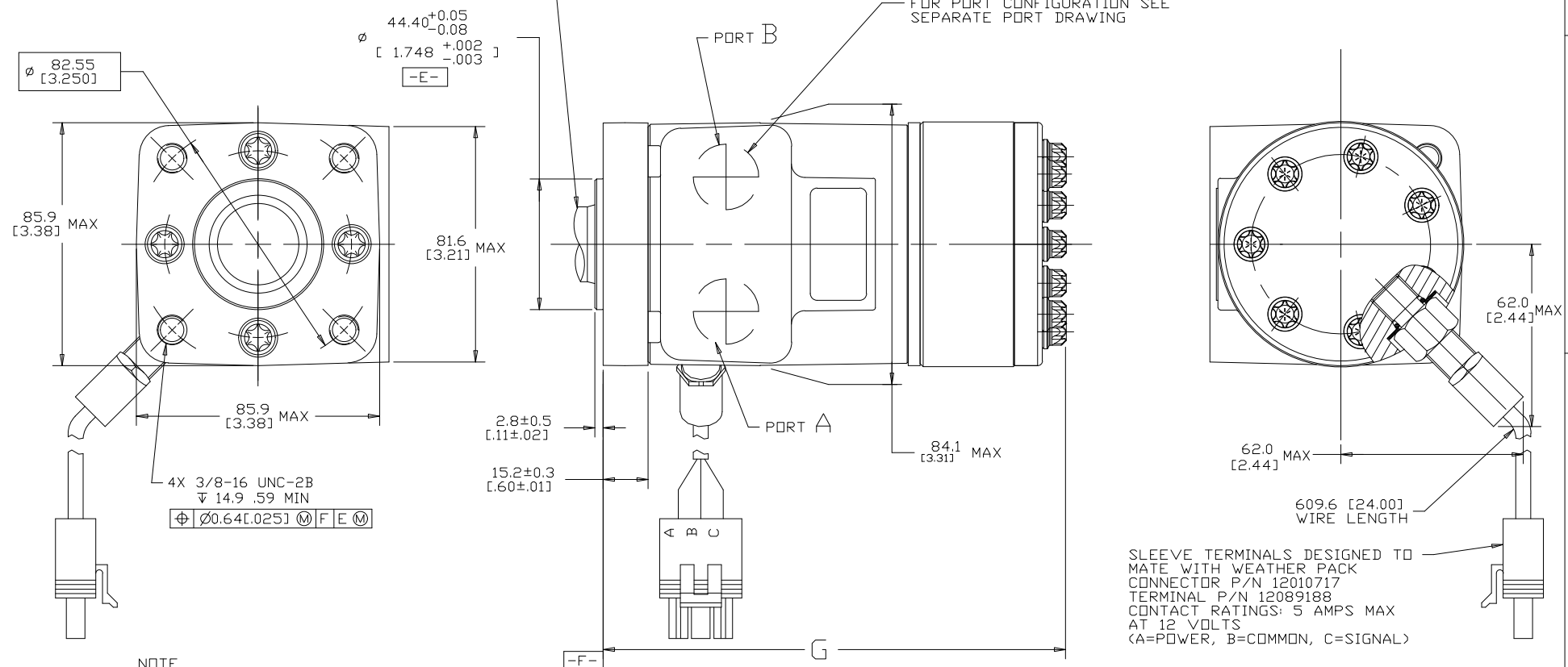
C

B

B

A

A



NOTE

- ROTATION: STANDARD: WHEN FACING SHAFT END OF MOTOR, SHAFT TO ROTATE CLOCKWISE WHEN PORT "A" IS PRESSURIZED COUNTERCLOCKWISE WHEN PORT "B" IS PRESSURIZED
REVERSE: WHEN FACING SHAFT END OF MOTOR, SHAFT TO ROTATE CLOCKWISE WHEN PORT "B" IS PRESSURIZED COUNTERCLOCKWISE WHEN PORT "A" IS PRESSURIZED
- MOUNTING FLANGE: BA = 4 BOLT STD: $\phi 44.40$ [1.748] X 3.05 [0.120] PILDOT 3/8-16 MOUNTING HOLES ON $\phi 82.55$ [3.250] BOLT CIRCLE
- CASE DRAIN: 00 = NO CASE DRAIN
- SENSOR OUTPUT WILL BE 60 ELECTRICAL PULSES PER SHAFT REVOLUTION
SUPPLY VOLTAGE: 8 TO 28 Vdc
OUTPUT VOLTAGE: LOW .5 Vdc AT 10 mA; HIGH Vs-1 Vdc



REVIEWED FOR CLASSIFICATION PER ESP-042

UNLESS OTHERWISE SPECIFIED ALL DIMENSIONS ARE IN INCHES <input type="checkbox"/> MILLIMETERS (INCHES) <input checked="" type="checkbox"/>		DRAWING BASED ON ANSI Y14.5M-1982	
TOLERANCES X ± ---- XX ± REF XXX ± ONLY < ± ----		THE REPRODUCTION, DISTRIBUTION, AND UTILIZATION OF THIS DOCUMENT, AS WELL AS THE COMMUNICATION OF ITS CONTENTS TO OTHERS WITHOUT EXPLICIT AUTHORIZATION IS PROHIBITED. OFFENDERS WILL BE HELD LIABLE FOR THE PAYMENT OF DAMAGES. ALL RIGHTS RESERVED IN THE EVENT OF THE GRANT OF A PATENT, UTILITY MODEL, OR DESIGN. (PER ISO 16016)	
UNSPECIFIED RADII ARE ----		DRAWN BY/DATE RAF 11-19-98 MATERIAL/HEAT TREAT	
UNSPECIFIED DRAFT ANGLES ARE ----		CHECKED BY/DATE GCB 11-20-98	
UNSPECIFIED THIRD ANGLE PROJECTION		TITLE H MOTOR INSTALLATION	
DRAWING FORMAT CADD <input checked="" type="checkbox"/> MANUAL <input type="checkbox"/>		MICROINCHES (MICROINCHES) <input type="checkbox"/> NUMBER A-37-418	
DO NOT SCALE		SCALE 1/1 SHEET 1 OF 1	

