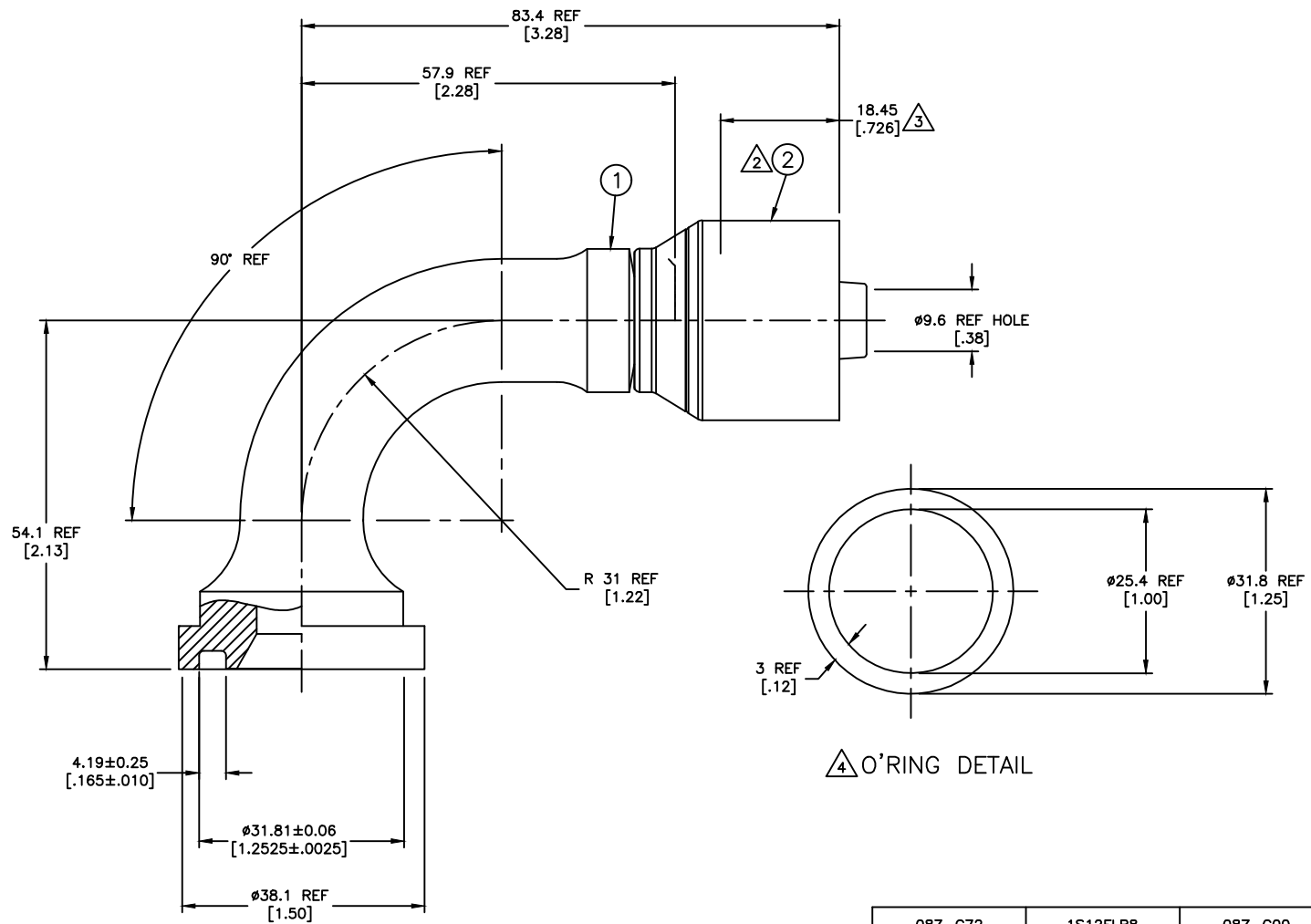


REVISIONS			
REV	DESCRIPTION	DATE	APPROVED



METRIC

△ O-RING DETAIL

- △ 4 O-RING SHOWN FOR REFERENCE ONLY: SUPPLIED BUT NOT FURNISHED WITH ASSEMBLY.
  - △ 3 STAMP "TRADEMARK" AND "08Z-G72" PER ES 70, (LOCATE AS SHOWN).
  - △ 2 CRIMP SOCKET PER ES 2409.
1. DIMENSIONS ARE IN MILLIMETERS [INCHES].

08Z-G72	1S12FLB8	08Z-C00		
PART NUMBER	① NIPPLE ASSEMBLY	② SOCKET		

LIST OF MATERIALS		DRAWING INFORMATION	
ITEM NO.	MATERIAL	SIZE	DRAWING NUMBER
1	STEEL	A2	08Z-G72
2	STEEL		

DRAWN B.L. LAMPLEY CHECKED W.R. HYDE APPROVED W.R. HYDE RELEASE DATE 2005-01-28 EN-F27136 DP-1612 THIRD ANGLE PROJECTION	FLUID CONVEYANCE DIVISION DRAWING TITLE <b>FITTING ASSEMBLY</b> 90°, SPLIT FLANGE TYPE (CODE 61), Z SERIES
SCALE 2/1 DIST U CAGE CODE 01276	SHEET REV

THE REPRODUCTION, DISTRIBUTION AND UTILIZATION OF THIS DOCUMENT AS WELL AS THE COMMUNICATION OF ITS CONTENTS TO OTHER WITHOUT EXPLICIT AUTHORIZATION IS PROHIBITED. OFFENDERS WILL BE HELD LIABLE FOR THE PAYMENT OF DAMAGES. ALL RIGHTS RESERVED IN THE EVENT OF THE GRANT OF A PATENT, UTILITY MODEL, OR DESIGN. (PER ISO 18618)

DRAWING NO. 08Z-G72