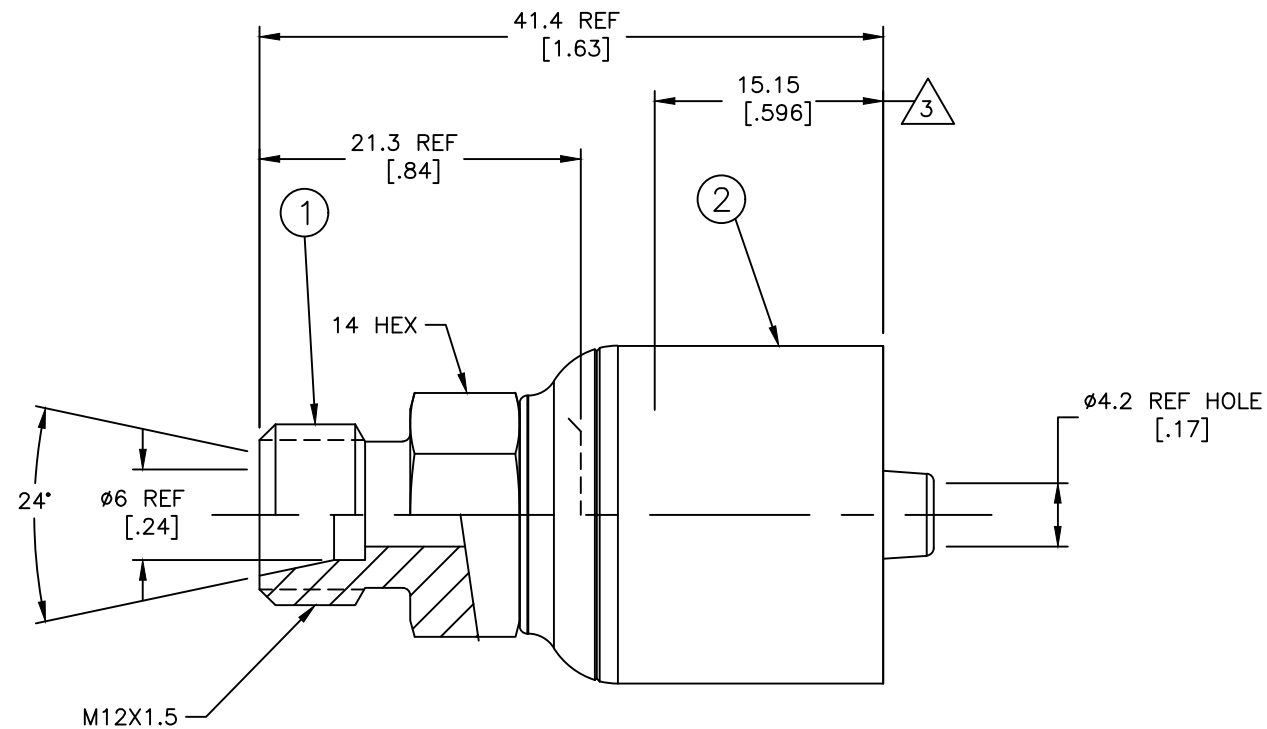


REVISIONS			
REV	DESCRIPTION	DATE	APPROVED



METRIC

04Z-06A	1S5DK4	04Z-C00			
PART NUMBER	① NIPPLE	② SOCKET			

LIST OF MATERIALS

ITEM NO.	MATERIAL	DRAWN	SIZE	DRAWING NUMBER	REV
1	STEEL	LWRAGGS	A2	04Z-06A	
2	STEEL	W.R.HYDE	SCALE 2/1	DIST U	CAGE CODE 01276
		APPROVED	SHEET		
		W.R.HYDE			
		RELEASE DATE			
		2005-02-17			
		EN-F27209			
		DP-1612			
		THIRD ANGLE PROJECTION			

Danfoss FLUID CONVEYANCE DIVISION
 DRAWING TITLE
 FITTING ASSEMBLY
 24° METRIC MALE LD,
 Z SERIES

THE REPRODUCTION, DISTRIBUTION AND UTILIZATION OF THIS DOCUMENT AS WELL AS THE COMMUNICATION OF ITS CONTENTS TO OTHER WITHOUT EXPLICIT AUTHORIZATION IS PROHIBITED. OFFENDERS WILL BE HELD LIABLE FOR THE PAYMENT OF DAMAGES. ALL RIGHT RESERVED IN THE EVENT OF THE GRANT OF A PATENT, UTILITY MODEL OR DESIGN. (PER ISO 16016)

- ③. STAMP "TRADEMARK" AND "04Z-06A" PER ES 70. (LOCATE AS SHOWN)
- 2. CRIMP SOCKET PER ES 2409.
- 1. DIMENSIONS ARE IN MILLIMETERS [INCH].

REV.
SH.
04Z-06A
DWG.NO.